

QWT430-16K

WR-430, 16KW

Features:
* Low VSWR

Applications:
* Transmitters
* Antennas
* Laboratory Test
* Impedance Matching

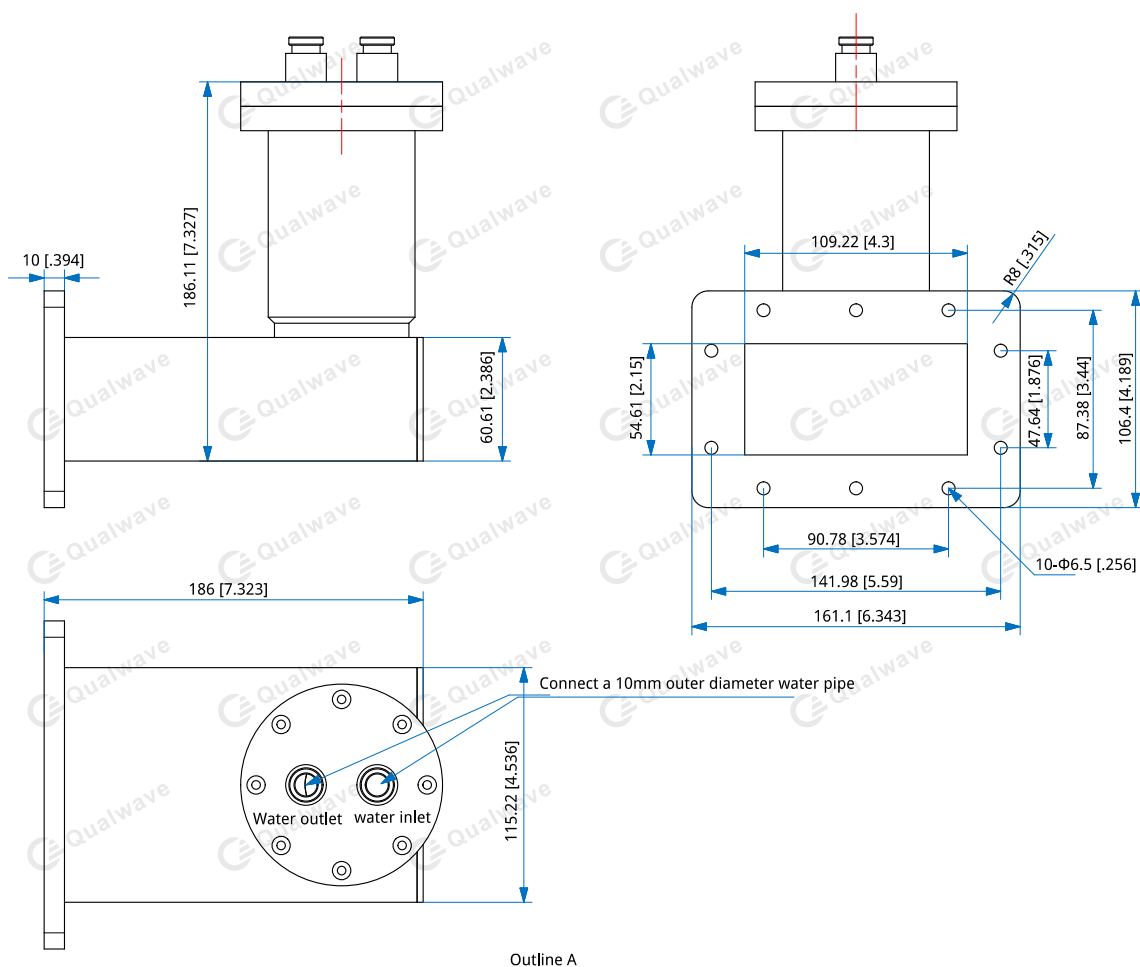
Electrical

Frequency: 2.4~2.5GHz
Average Power: 16KW
VSWR: 1.15 max.

Mechanical

Waveguide Size: WR-430 (BJ22)
Flange: FDP22
Material: Aluminium
Finish: Conductive oxidation
Cool: Water cooling

Outline Drawings



Unit: mm [in]

Tolerance: $\pm 0.5\text{mm}$ [$\pm 0.02\text{in}$]

How To Order

QWT430-16K-Y-Z

Y: Material

Z: Flange type

Material naming rules:

A - Aluminum (Outline A)

Flange naming rules:

2 - FDP22 (Outline A)

Examples:

To order a high power waveguide termination, WR-430, 16KW, Aluminum, FDP22, specify QWT430-16K-A-2.

Customization is available upon request.