

QWT229-2K5 WR-229, 2.5KW

Features:
* Low VSWR

Applications:
* Transmitters
* Antennas
* Laboratory Test
* Impedance Matching

Electrical

Frequency: 3.22~4.9GHz
Average Power: 2.5KW
VSWR: 1.2 max.

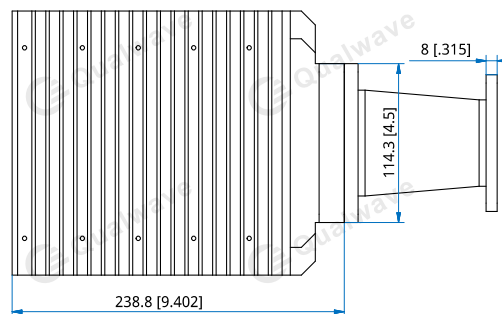
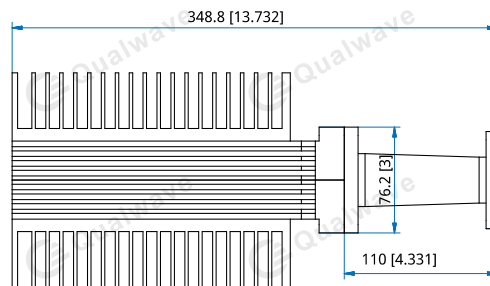
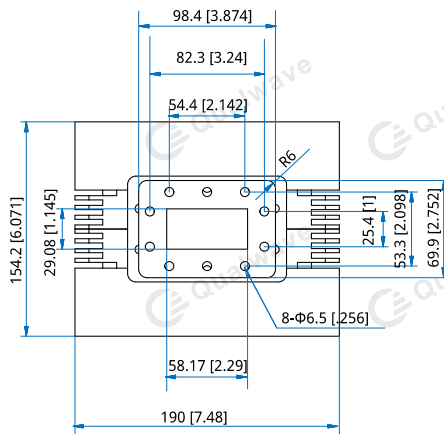
Mechanical

Waveguide Size: WR-229 (BJ40)
Flange: FBP40/FDP40

Environmental

Temperature: -55~+125°C

Outline Drawings



Outline A

Unit: mm [in]
Tolerance: $\pm 0.5\text{mm}$ [$\pm 0.02\text{in}$]

How To Order

QWT229-2K5-Y-Z

Y : Material

Z : Flange type

Material naming rules:
A - Aluminum (Outline A)

Flange naming rules:

1 - FBP40

2 - FDP40 (Outline A)

Examples:

To order a high power waveguide termination, WR-229, 2.5KW, Aluminum, FDP40, specify QWT229-2K5-A-2.

Customization is available upon request.