

## QHF-3500-18000-20

3.5~18GHz, 20dB

### Features:

- \* High Stopband Rejection
- \* Small Size

### Applications:

- \* Telecom
- \* Laboratory Test
- \* Receivers
- \* Instrumentation

### Electrical

|                          |                     |
|--------------------------|---------------------|
| Passband:                | 3.5~18GHz           |
| Passband Insertion Loss: | 1dB max.            |
| VSWR:                    | 1.8 max.            |
| Stopband Attenuation:    | 20dB@DC~3.2GHz min. |
| Amplitude Balance:       | ±0.2dB max.         |
| Phase Balance:           | ±3°                 |
| Power:                   | 10W max.            |
| Impedance:               | 50Ω                 |

### Mechanical

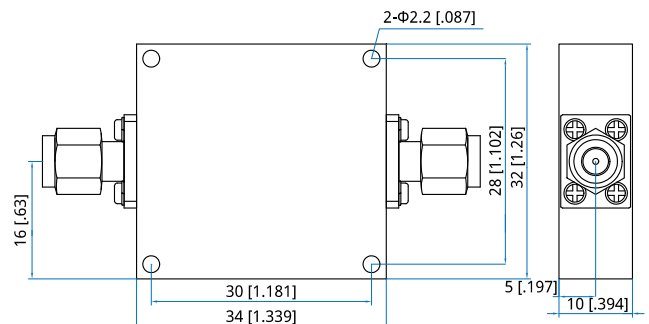
|                |                                  |
|----------------|----------------------------------|
| Size*1:        | 34*32*10mm<br>1.339*1.26*0.394in |
| RF Connectors: | SMA Male                         |
| Mounting:      | 2-Φ2.2 through-hole              |

[1] Exclude connectors.

### Environmental

|                        |           |
|------------------------|-----------|
| Operating Temperature: | -45~+85°C |
|------------------------|-----------|

### Outline Drawings



Unit: mm [in]

Tolerance: ±0.2mm [±0.008in]

### How To Order

**QHF-3500-18000-20**

Customization is available upon request.