

QFTW-42

WR-42, 17.7~26.5GHz

Features:
 * Low VSWR
 * Low Insertion Loss

Applications:
 * Wireless
 * Transmitter
 * Laboratory Test
 * Instrumentation

Electrical

Frequency: 17.7~26.5GHz

Length (mm)	Insertion Loss (dB max.)	VSWR (max.)	Torsion Angle (°/m max.)	Bend Radius (mm min.)
900 (±3%)	1.08	1.2	465	38/E, 76/H
1000 (±3%)	1.3	1.3	510	38/E, 76/H
1200 (±3%)	1.45	1.25	630	30/E, 60/H

Mechanical

Waveguide Size: WR42 (BJ220)/WG20/R220
 Flange: FBP220/FBM220
 Length: 50 ≤ L ≤ 1200mm
 Flange Material: Nickel plated brass
 Material of Waveguide Core: Silver plated brass
 Jacket Material: Vulcanized silicone rubber

How To Order

QFTW-42-X-Y-Z

X: Length in mm.

Y: Material

Z: Flange type

Length in mm:

900 - 900mm (Outline B)

1000 - 1000mm (Outline A)

1200 - 1200mm (Outline A)

Material naming rules:

B - Brass (Outline A, B)

Flange naming rules:

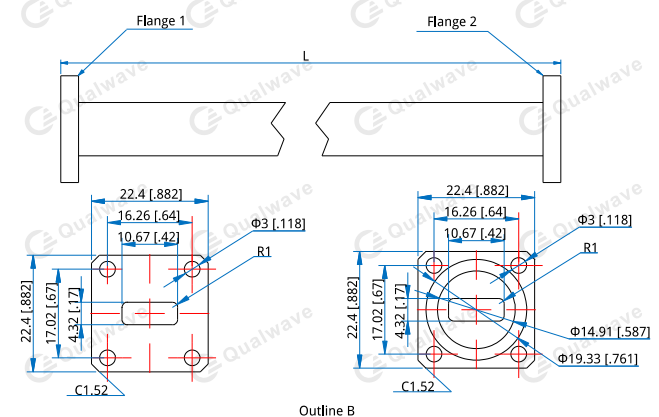
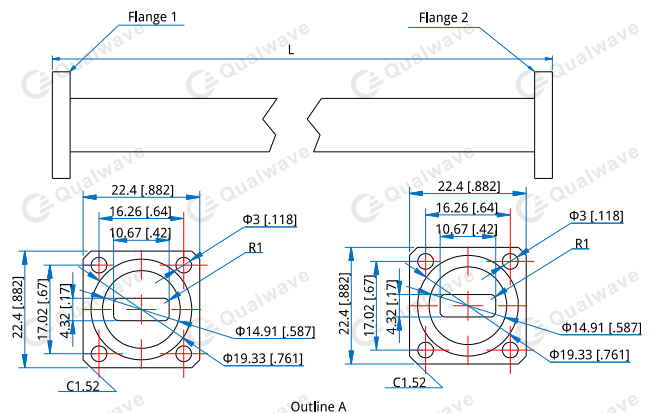
3-3 - FBM220-FBM220 (Outline A)

1-3 - FBP220-FBM220 (Outline B)

Examples:

To order a Flexible Twistable Waveguide, WR-42, 1200mm, Brass, FBM220-FBM220, specify QFTW-42-1200-B-3-3.

Outline Drawings



Unit: mm [in]

Tolerance: ±0.5mm [±0.02in]

Customization is available upon request.