

QFA4005

DC~40GHz, 5W

Features:
 * Low VSWR
 * High Attenuation Flatness

Applications:
 * Wireless
 * Transmitter
 * Laboratory Test
 * Radar

Electrical

Frequency: DC~40GHz
 Attenuation: 1~10dB, 20dB, 30dB, 40dB
 Impedance: 50Ω
 Average Power*1: 5W@25°C max.

[1] Derated linearly to 0.25W@120°C.

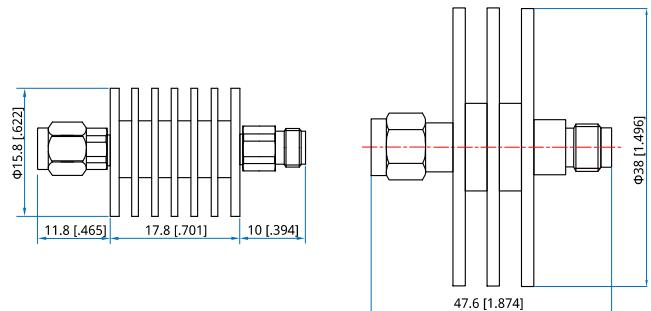
Mechanical

RF Connectors: 2.92mm
 Housing: Aluminum
 Dielectric: PEI
 Outer Conductor: Stainless steel
 Male Inner Conductor: Gold plated brass
 Female Inner Conductor: Gold plated beryllium copper

Environmental

Temperature: -55~+85°C

Outline Drawings



Outline A

Outline B

Unit: mm [in]
 Tolerance: ±2mm [±0.08in]

Attenuation Accuracy and VSWR

Frequency (GHz)	Attenuation Accuracy (±dB) vs. Attenuation (dB)				VSWR (max.)
	1~10	20	30	40	
DC~40	-0.7/+1.0	-0.7/+1.0	-0.7/+1.0	-1.0/+2.0	1.25, 1.40@40dB

How To Order

QFA4005-X-Y-Z

X: Frequency in GHz

Y: Attenuation in dB (Outline A - 1~30dB, Outline B - 40dB)

Z: Connector type

Connector naming rules:

K - 2.92mm

Examples:

To order an attenuator, DC~40GHz, 2.92mm male to 2.92mm female, 3dB attenuation, specify QFA4005-40-3-K.