

# QFA08K8

## DC~8GHz, 800W

**Features:**

- \* Low VSWR
- \* High Attenuation Flatness

**Applications:**

- \* Wireless
- \* Transmitter
- \* Laboratory Test
- \* Radar

**Electrical**

Frequency:	DC~8GHz
Attenuation:	50dB
Impedance:	50Ω
Average Power*1:	800W@25°C max.
Peak Power:	5KW (5μs pulse width, 10% duty cycle)

[1] Derated linearly to 80W@125°C.

**Attenuation Accuracy and VSWR**

Frequency (GHz)	Attenuation Accuracy (±dB) vs. Attenuation (dB)	VSWR (max.)
	50	
DC~4	±1.0	1.35
DC~6	±1.0	1.45
DC~8	±1.5	1.45

**Mechanical**

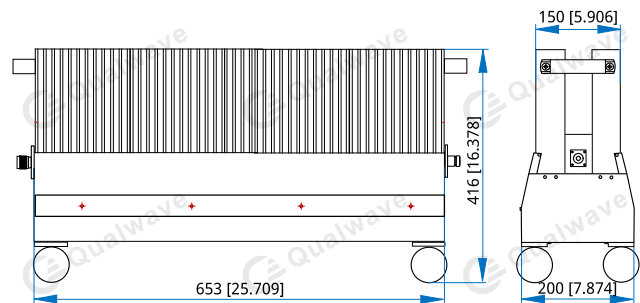
Size*2:	653*200*416mm 25.709*7.874*16.378in
Weight:	25.2Kg
RF Connectors:	N, 7/16 DIN
Housing:	Aluminum
Outer Conductor:	Nickel plated brass
Male Inner Conductor:	Gold plated brass
Female Inner Conductor:	Gold plated beryllium copper

[2] Excluding connectors.

**Environmental**

Temperature:	-55~+125°C
--------------	------------

**Outline Drawings**



Unit: mm [in]  
Tolerance: ±3%

**How To Order**

**QFA08K8-X-Y-Z**

- X: Frequency in GHz
- Y: Attenuation in dB
- Z: Connector type

**Connector naming rules:**

- NFNF - N Female
- NN - N Male
- N - N Male&N Female
- 7F7F - 7/16 DIN Female
- 77 - 7/16 DIN Male
- 7 - 7/16 DIN Male&7/16 DIN Female

**Examples:**

To order an attenuator, DC-4GHz, N male to N female, 50dB attenuation, specify QFA08K8-4-50-N.