

QE-0-40000-KKM-10

DC~40GHz, 10dB

Features:
 * Low VSWR
 * Small Size

Applications:
 * Amplifier
 * Laboratory Test
 * Instrumentation

Electrical

Frequency:	DC~40GHz
VSWR:	1.8 typ.
Slope:	10dB typ.
Linearity:	±1dB typ.
Insertion Loss:	2.5dB@40GHz typ. 11dB@0GHz typ.

Absolute Maximum Ratings*1

RF Input Power: +30dBm typ.

[1] Permanent damage may occur if any of these limits are exceeded.

Mechanical

Size*2:	15.24*12.7*10.16mm 0.6*0.5*0.4in
Connectors:	2.92mm
Mounting:	2-Φ2.2mm through-hole

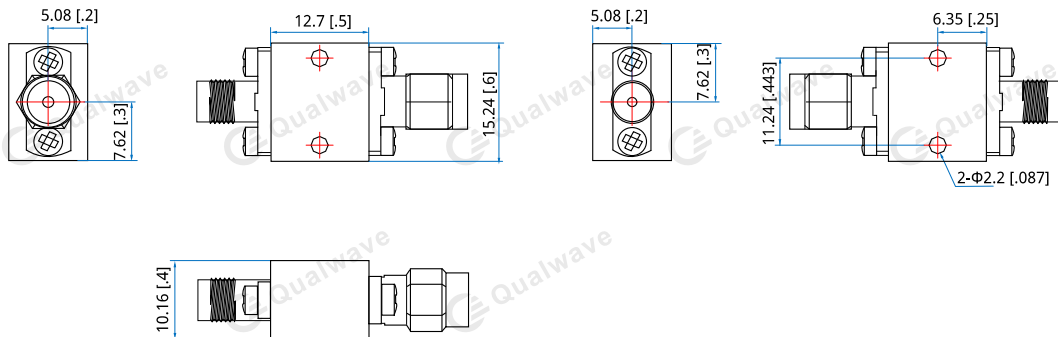
[2] Exclude connectors.

How To Order

QE-0-40000-KKM-10

Customization is available upon request.

Outline Drawings



Unit: mm [in]

Tolerance: ±0.2mm [±0.008in]