

QELC-1F-4

1.0mm Female, DC~110GHz

Features:
* Low VSWR

Applications:
* Wireless
* Radar
* Instruments
* Electronics

Electrical

Frequency:	DC~110GHz
VSWR:	1.3 max. @DC~40GHz 1.45 max. @40~67GHz 2 max. @67~110GHz
Insertion Loss:	0.05xvf(GHz) dB max.
Impedance:	50Ω

Mechanical

RF Connector:	1.0mm Female
Outer Conductor:	Passivated stainless steel
Inner Conductor:	Gold plated beryllium copper
Insulator:	PEI or equivalent
Body & Plate:	Gold plated brass

Environmental

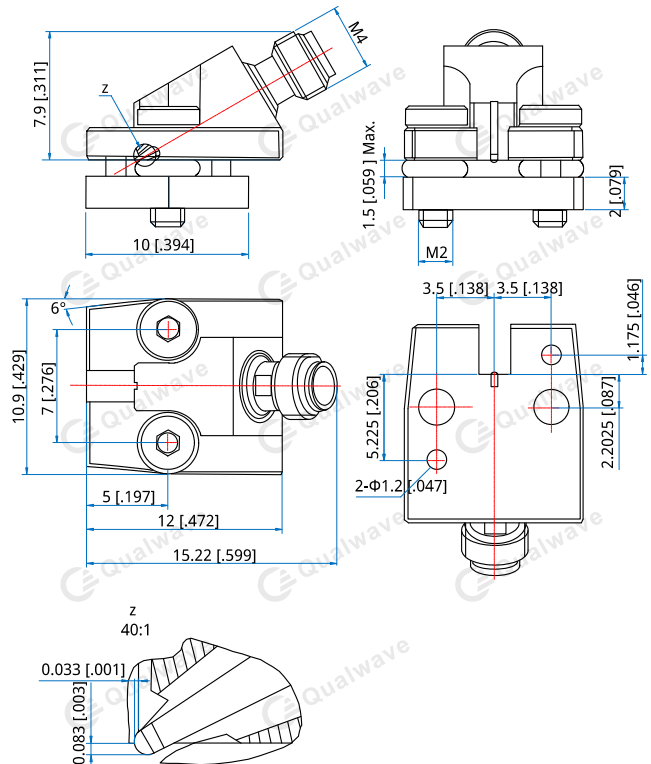
Temperature:	-40~+85°C
--------------	-----------

How To Order

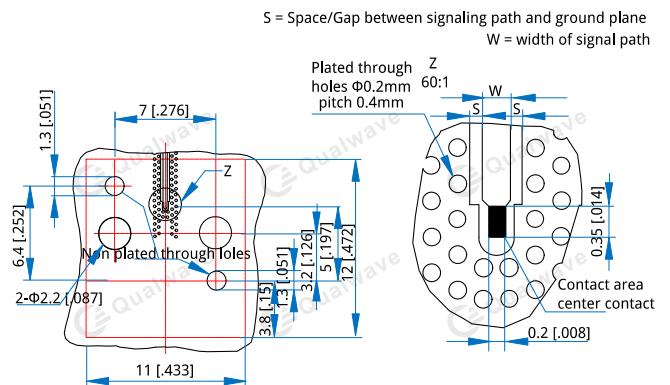
QELC-1F-4

Customization is available upon request.

Outline Drawings



PCB Layout



Unit: mm [in]
Tolerance: ±0.2mm [±0.008in]