

QDDL-6570-9990

6.57~9.99GHz

Features:

- * Broadband
- * High Power
- * Low Insertion Loss

Applications:

- * Amplifiers
- * Transmitter
- * Laboratory Test
- * Radar

Electrical

Frequency:	6.57~9.99GHz
Coupling:	50±1dB
VSWR(Mainline):	1.1max.
VSWR (Coupling):	1.3max.
Directivity:	20dB min.
Power Handling:	0.52MW

Mechanical

Interface:	WR-112 (BJ84)
Flange:	FBP84, FBE84
Material:	Copper
Finish:	Pickling passivation
Coating:	Black paint

How To Order

QDDL-6570-9990-W-X-Y-Z

W: Coupling:

50dB - Outline A

X: Coupling Connector type

Y: Material

Z : Flange type

Connector naming rules:

S - SMA female (Outline A)

Material naming rules:

C - Copper (Outline A)

Flange naming rules:

1-14 - FBP&FBE (Outline A)

Examples:

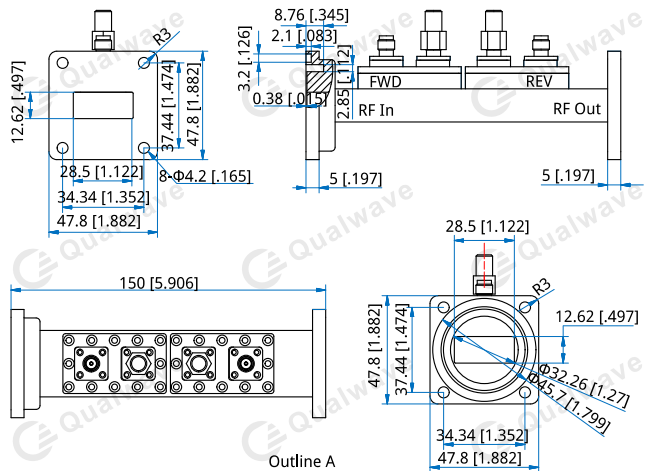
To order a Dual Directional Loop Coupler, 6.57~9.99GHz, 50dB, SMA female, Copper, FBP84-FBE84, specify QDDL-6570-9990-50-S-C-1-14.

Customization is available upon request.

Environmental

Operating Temperature: -40~+125°C

Outline Drawings



Unit: mm [in]
Tolerance: ±0.5mm [±0.02in]