

## QDDLC-3940-5990

3.94~5.99GHz

### Features:

- \* Broadband
- \* High Power
- \* Low Insertion Loss

### Applications:

- \* Amplifiers
- \* Transmitter
- \* Laboratory Test
- \* Radar

### Electrical

Frequency:	3.94~5.99GHz
Coupling:	50±1dB
VSWR (Mainline):	1.1 max.
VSWR (Coupline):	1.15 max.
Directivity:	25dB min.
Power Handling:	1.52MW

### Mechanical

Interface:	WR-187 (BJ48)
Flange:	FDP48
Material:	Aluminium
Finish:	Conductive oxidation
Coating:	Sea gray

### How To Order

**QDDLC-3940-5990-W-X-Y-Z**

W: Coupling:

50dB - Outline A

X: Coupling Connector type

Y: Material

Z : Flange type

Connector naming rules:

S - SMA female (Outline A)

Material naming rules:

A - Aluminium (Outline A)

Flange naming rules:

2 - FDP (Outline A)

Examples:

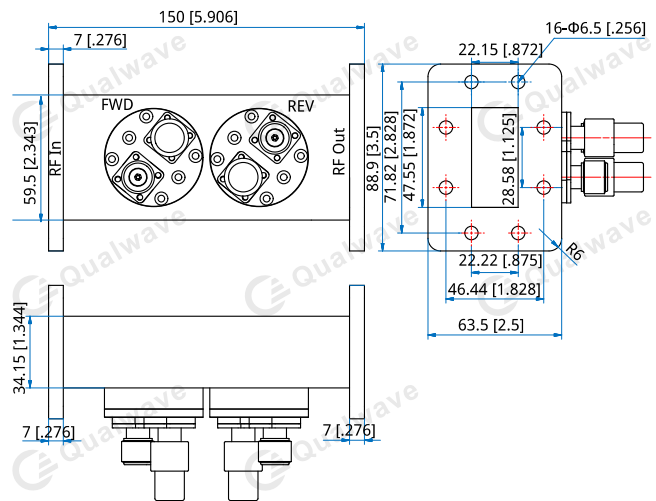
To order a Dual Directional Loop Coupler, 3.94~5.99GHz, 50dB, SMA female, Aluminium, FDP84, specify QDDLC-3940-5990-50-S-A-2.

Customization is available upon request.

### Environmental

Operating Temperature: -40~+125°C

### Outline Drawings



Outline A

Unit: mm [in]

Tolerance: ±0.5mm [±0.02in]