

QDDL-1720-2610

1.72~2.61GHz

Features:

- * Broadband
- * High Power
- * Low Insertion Loss

Applications:

- * Amplifiers
- * Transmitter
- * Laboratory Test
- * Radar

Electrical

Frequency:	1.72~2.61GHz
Coupling:	60±1dB
VSWR (Mainline):	1.1 max.
VSWR (Coupling):	1.25 max.
Directivity:	20dB min.
Power Handling:	8.6MW

Mechanical

Interface:	WR-430 (BJ22)
Flange:	FDP22
Material:	Aluminium
Finish:	Conductive oxidation
Coating:	Black paint

How To Order

QDDL-1720-2610-W-X-Y-Z

W: Coupling:

60 - Outline A

X: Coupling Connector type

Y: Material

Z : Flange type

Connector naming rules:

N - N female (Outline A)

Material naming rules:

A - Aluminium (Outline A)

Flange naming rules:

2 - FDP (Outline A)

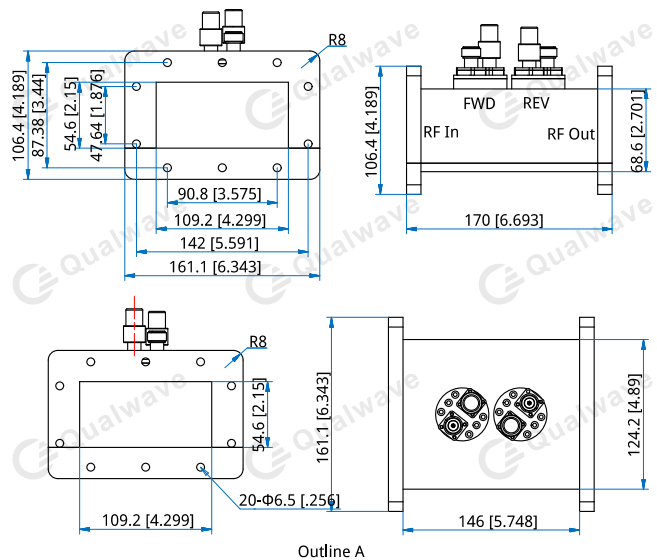
Examples:

To order a Dual Directional Loop Coupler, 1.72~2.61GHz, 60dB, N female, Aluminium, FDP22, specify QDDL-1720-2610-60-N-A-2.

Environmental

Operating Temperature: -40~+125°C

Outline Drawings



Unit: mm [in]

Tolerance: ±0.2mm [±0.008in]

Customization is available upon request.