

QDDC-40-300-10-10-N

0.04~0.3GHz, 10W, 10dB

Features:
* Low Insertion Loss

Applications:
* Amplifiers
* Transmitter
* Laboratory Test
* Radar

Electrical

Frequency:	0.04~0.3GHz
Coupling:	10±1dB
VSWR (Mainline):	1.35 max.
VSWR (Coupling):	1.5 max.
Insertion Loss:	1.8dB max.
Directivity:	16dB min.
Average Power:	10W
Peak Power:	10KW

Mechanical

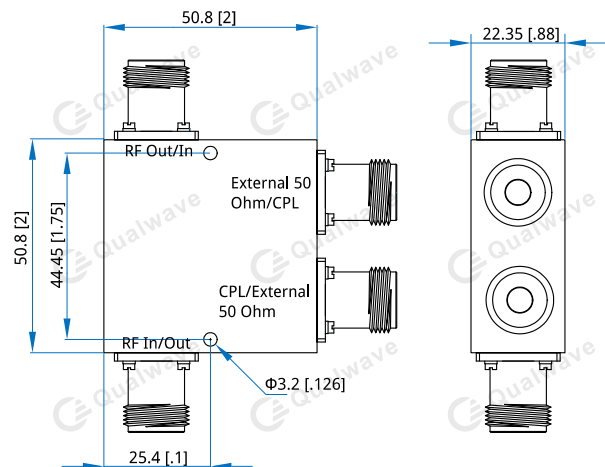
Size ^{*1} :	50.8*50.8*22.35mm 0.2*0.2*0.88in
Connectors:	N Female

[1] Exclude connectors

Environmental

Operating Temperature:	-45~+100°C
Non-operating Temperature:	-55~+100°C

Outline Drawings



Unit: mm [in]

Tolerance: ±0.3mm [±0.012in]

How To Order

QDDC-40-300-10-10-N

Customization is available upon request.