

QDDC-225-460-K5-30-N

0.225~0.46GHz, 500W, 30dB

Features:
* Low Insertion Loss

Applications:
* Amplifiers
* Transmitter
* Laboratory Test
* Radar

Electrical

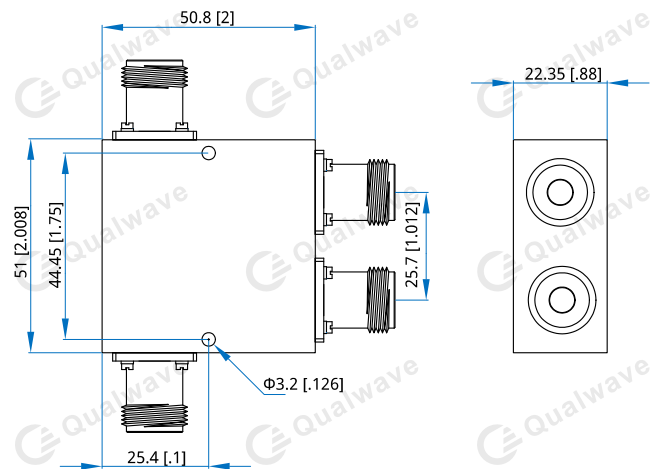
Frequency:	0.225~0.46GHz
Insertion Loss:	0.3dB max.
Coupling:	30±1dB
Directivity:	20dB min.
VSWR (Mainline):	1.1 max.
Average Power:	500W

Mechanical

Size ^{*1} :	50.8*51*22.35mm 2*2.008*0.88in
Connectors:	N Female
Mounting:	2-Φ3.2mm through-hole

[1] Exclude connectors

Outline Drawings



Unit: mm [in]

Tolerance: ±0.3mm [±0.012in]

How To Order

QDDC-225-460-K5-30-N

Customization is available upon request.