

QDDC-200-400-1K-40-NS

0.2~0.4GHz, 1000W, 40dB

Features:

* Low Insertion Loss

Applications:

- * Amplifiers
- * Transmitter
- * Laboratory Test
- * Radar

Electrical

Frequency:	0.2~0.4GHz
Insertion Loss:	0.2dB max.
Coupling:	40±1dB
Directivity:	20dB min.
VSWR:	1.15 max.
Average Power:	1000W

Mechanical

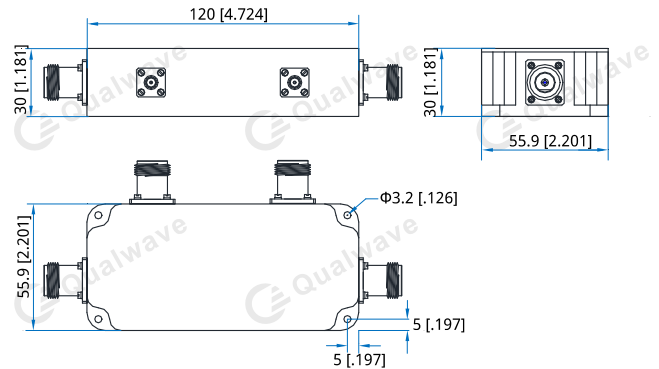
Size ^{*1} :	120*55.9*30mm 4.724*2.201*1.181in
RF Connectors:	N Female
Coupling Connectors:	SMA female
Mounting:	4-Φ3.2mm through-hole

[1] Exclude connectors

Environmental

Temperature:	-45~+100°C
Extended Temperature:	-55~+100°C

Outline Drawings



Unit: mm [in]

Tolerance: ±0.3mm [±0.012in]

How To Order

QDDC-200-400-1K-40-NS

Customization is available upon request.