

## QDDC-20-200-1-20-N

20~200MHz, 1W, 20dB

**Features:**

\* Low Insertion Loss

**Applications:**

- \* Amplifiers
- \* Transmitter
- \* Laboratory Test
- \* Radar

**Electrical**

Frequency:	20~200MHz
Insertion Loss:	0.3dB max.
Coupling:	20±1dB
Coupling Flatness:	±0.1dB max.
Directivity:	20dB min.
VSWR(Mainline):	1.2 max.
VSWR(Coupline):	1.35 max.
Average Power:	1W

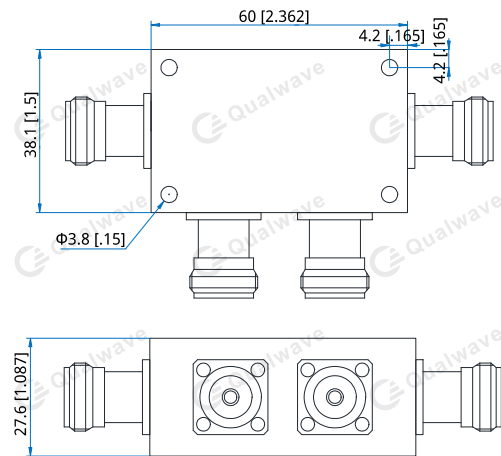
**Mechanical**

Size <sup>*1</sup> :	60*38.1*27.6mm 2.362*1.5*1.087in
Connectors:	N Female
Mounting:	4-Φ3.8mm through-hole

[1] Exclude connectors

**Environmental**

Temperature:	-40~+85°C
--------------	-----------

**Outline Drawings**


Unit: mm [in]

Tolerance: ±0.3mm [±0.012in]

**How To Order**

**QDDC-20-200-1-20-N**

Customization is available upon request.