

QDDBC-9840-15000

9.84~15GHz

Features:

- * Broadband
- * High Power
- * Low Insertion Loss

Applications:

- * Amplifiers
- * Transmitter
- * Laboratory Test
- * Radar

Electrical

Frequency:	9.84~15GHz
Coupling:	40±1.5dB
VSWR (Mainline):	1.1 max.
VSWR (Coupling):	1.25 max.
Directivity:	30dB min.
Power Handling:	0.26MW

Mechanical

Interface:	WR-75 (BJ120)
Flange:	FBP120
Material:	Aluminium
Finish:	Conductive oxidation
Coating:	Black paint

How To Order

QDDBC-9840-15000-W-X-Y-Z

W: Coupling:

40 - Outline A

X: Coupling Connector type

Y: Material

Z : Flange type

Connector naming rules:

S - SMA female (Outline A)

Material naming rules:

A - Aluminium (Outline A)

Flange naming rules:

1 - FBP (Outline A)

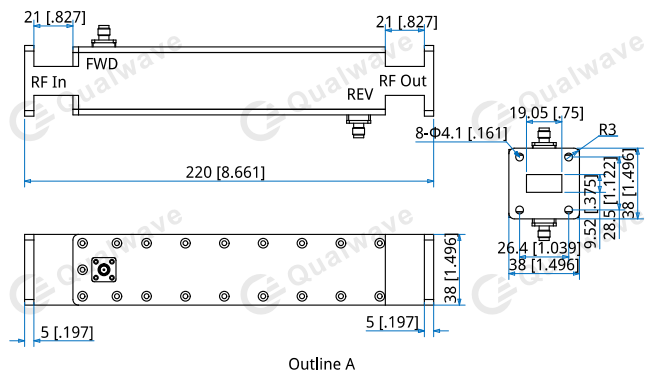
Examples:

To order a Dual Directional Broadwall Coupler, 9.84~15GHz, 40dB, SMA female, Aluminium, FBP120, specify QDDBC-9840-15000-40-S-A-1.

Environmental

Operating Temperature: -40~+125°C

Outline Drawings



Unit: mm [in]

Tolerance: ±0.2mm [±0.008in]

Customization is available upon request.