

QDVO-1000-13

1GHz, 13dBm

Features:

- * High Frequency Stability
- * Ultra Low Phase Noise

Applications:

- * Wireless
- * Transceiver
- * Laboratory Test
- * Radar

Electrical

Output Frequency:	1GHz
Output Power:	13dBm min.
Phase Noise:	-100dBc/Hz@10KHz max.
Frequency Stability:	5ppm max.
Harmonic:	-20dBc max.
Spurious:	-80dBc max.
Voltage:	+12V DC
Current:	240mA max.
Tuning Voltage:	0~12V
Tuning Bandwidth:	2MHz

Mechanical

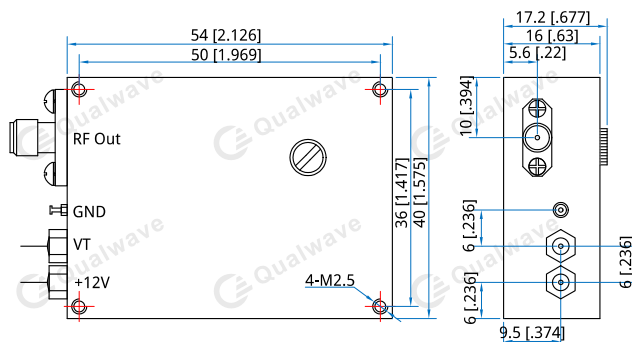
Size ^{*1} :	54*40*17.2mm 2.126*1.575*0.677in
RF Connectors:	SMA Female
Power Supply Connectors:	Feed Through/Terminal Post
Mounting:	4-M2.5

[1] Exclude connectors.

Environmental

Operating Temperature:	-40~+75°C
Non-operating Temperature:	-55~+85°C

Outline Drawings



Unit: mm [in]

Tolerance: ±0.2mm [±0.008in]

How To Order

QDVO-1000-13

Customization is available upon request.