

QDO-38500-10

38.5GHz, 10dBm

Features:

- * High Frequency Stability
- * Ultra Low Phase Noise

Applications:

- * Wireless
- * Transceiver
- * Laboratory Test
- * Radar

Electrical

Frequency:	38.5GHz
Frequency Stability:	±2.5ppm/°C
Output Power:	10dBm min.
Harmonic:	-25dBc max.@9.625GHz, 19.25GHz, 28.875GHz
Spurious:	-85dBc max.
Phase Noise:	-75dBc max./Hz@10KHz typ.
Voltage:	+12V
Current:	350mA max.

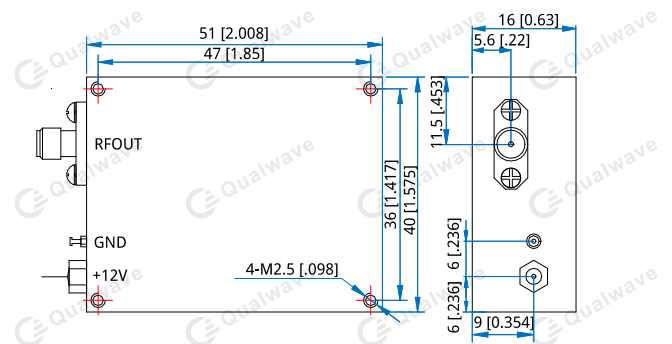
Mechanical

Size ^{*1} :	51*40*16mm 2.008*1.575*0.63in
Output Connector:	2.92mm Female
Power Supply Connectors:	Feed Through/Terminal Post
Mounting:	4-M2.5mm through-hole

[1] Exclude connectors.

Environmental

Operating Temperature:	-55~+50°C
Non-operating Temperature:	-55~+85°C

Outline Drawings


Unit: mm [in]

Tolerance: ±0.2mm [±0.008in]

How To Order

QDO-38500-10

Customization is available upon request.