

# QDI2532X

## High Power, High Isolation

**Features:**

- \* High Power
- \* High Isolation
- \* Low Insertion Loss
- \* Low VSWR

**Applications:**

- \* Wireless
- \* Radar
- \* Laboratory Test

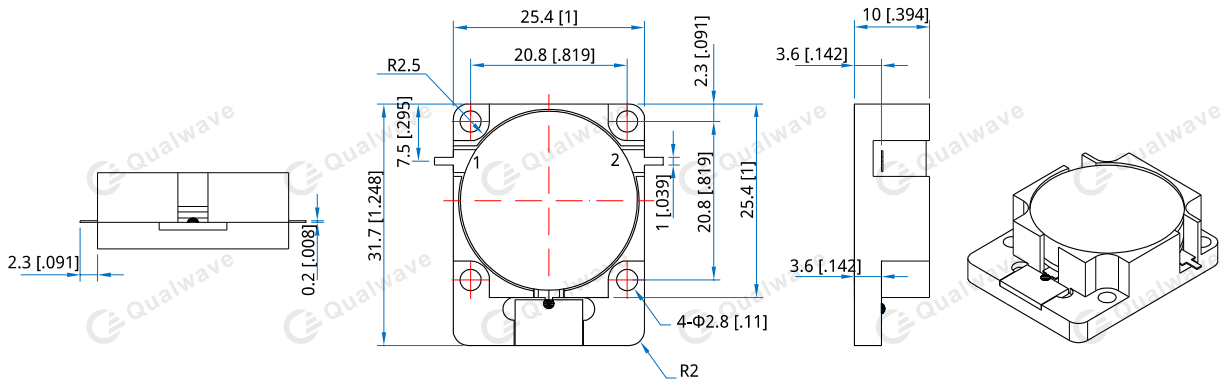
**Description**

QDI2532X series Drop-In Isolators cover frequency range 350~4000MHz. High power, high isolation and low insertion loss make it ideal for a lot of applications like amplifiers, transceivers, etc.

**Specifications**

Frequency (MHz)	Bandwidth (MHz)	Insertion Loss (dB Max.)	Isolation (dB Min.)	VSWR (Max.)	Fwd Power (W Max.)	Rev Power (W)	Temperature (°C)
350~400	20	0.50	20.0	1.25	250	100	-30~+70
400~800	20	0.40	23.0	1.25	250	100	-30~+70
400~800	70	0.40	20.0	1.20	250	100	-30~+70
700~1300	30	0.25	25.0	1.15	250	100	-30~+70
700~1300	100	0.40	20.0	1.25	250	100	-30~+70
746~870	124	0.40	20.0	1.20	250	100	-30~+70
869~894	25	0.25	25.0	1.20	250	100	-30~+70
885~915	30	0.25	25.0	1.20	250	100	-30~+70
850~960	110	0.40	20.0	1.25	250	100	-30~+70
920~960	40	0.25	25.0	1.20	250	100	-30~+70
960~1215	255	0.40	20.0	1.25	250	100	-30~+70
1030~1090	60	0.30	23.0	1.20	250	100	-30~+70
1300~3000	75	0.25	25.0	1.15	250	100	-30~+70
1300~3000	100	0.30	23.0	1.20	250	100	-30~+70
1300~3000	200	0.40	20.0	1.25	250	100	-30~+70
1300~1800	500	0.40	16.0	1.40	250	100	-30~+70
1500~1700	200	0.40	20.0	1.25	250	100	-30~+70
1700~1900	200	0.40	20.0	1.25	250	100	-30~+70
1710~2170	460	0.50	18.0	1.30	100	100	-30~+75
1880~2650	770	0.65	15.0	1.45	250	100	-30~+70
1900~2200	300	0.40	20.0	1.25	250	100	-30~+70
2000~2300	300	0.50	18.0	1.30	125	100	-40~+85
2100~2700	600	0.50	18.0	1.35	250	100	-30~+70
2300~2700	400	0.40	20.0	1.25	250	100	-30~+70
2400~2500	100	0.25	25.0	1.15	250	100	-30~+70
3000~4000	200	0.30	23.0	1.20	250	100	-30~+70
3000~4000	400	0.40	20.0	1.25	250	100	-30~+70
3400~3600	200	0.30	23.0	1.20	250	100	-30~+70
3600~3800	200	0.30	23.0	1.20	250	100	-30~+70

## Outline Drawings



Unit: mm [inch]      Tolerance: ±0.2mm [±0.008in]

### Mechanical

Size<sup>\*1</sup>: 25.4\*31.7\*10mm  
 1\*1.248\*0.394in  
 Connector Type: Strip line  
 Mounting: 4-Φ2.8mm through-hole

[1] Exclude connectors and terminations.

### Direction Naming Rules:

- 1 - Clockwise
- 2 - Anticlockwise

### How To Order

#### QDI2532X-V-W-X-Y-Z

- V: Start frequency in MHz
- W: Stop frequency in MHz
- X: Forward Power in W
- Y: Reverse Power in W
- Z: Direction type

#### Examples:

To order a QDI2532X series Isolator, 3600~3800MHz, Forward power 250W, Reverse power 100W, Clockwise, specify QDI2532X-3600-3800-K25-K1-1.

Customization is available upon request.