

# QDI1318T

## High Power, High Isolation

**Features:**

- \* High Power
- \* High Isolation
- \* Low Insertion Loss
- \* Low VSWR

**Applications:**

- \* Wireless
- \* Radar
- \* Laboratory Test

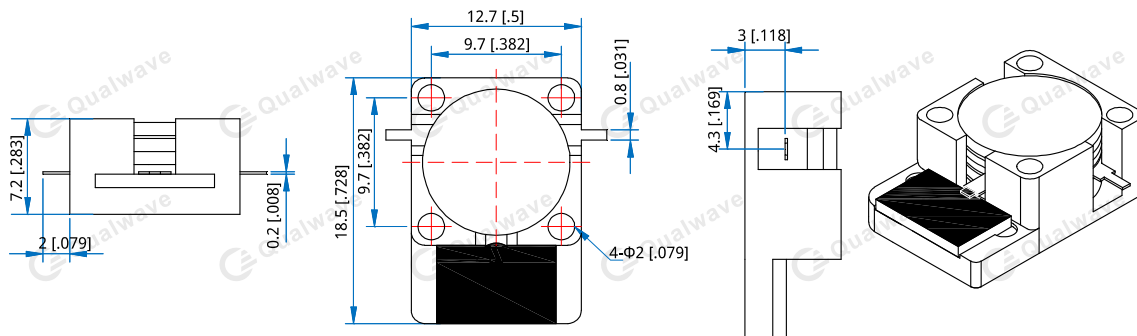
**Description**

QDI1318T series Drop-In Isolators cover frequency range 5100~5900MHz. High power, high isolation and low insertion loss make it ideal for a lot of applications like amplifiers, transceivers, etc.

**Specifications**

Frequency (MHz)	Bandwidth (MHz)	Insertion Loss (dB Max.)	Isolation (dB Min.)	VSWR (Max.)	Fwd Power (W Max.)	Rev Power (W)	Temperature (°C)
5100~5300	200	0.50	18.0	1.30	100	100	-30~+70
5700~5900	200	0.50	18.0	1.30	100	100	-30~+70

**Outline Drawings**



Unit: mm [inch]

Tolerance: ±0.2mm [±0.008in]

**Mechanical**

- Size<sup>\*1</sup>: 12.7\*18.5\*7.2mm  
0.5\*0.728\*0.283in
- Connector Type: Strip line
- Mounting: 4-Φ2mm through-hole

[1] Exclude connectors.

**Direction Naming Rules:**

- 1 - Clockwise
- 2 - Anticlockwise

**How To Order**

**QDI1318T-V-W-X-Y-Z**

- V: Start frequency in MHz
- W: Stop frequency in MHz
- X: Forward Power in W
- Y: Reverse Power in W
- Z: Direction type

Examples:

To order a QDI1318T series Isolator, 5100~5300MHz, Forward power 100W, Reverse power 100W, Clockwise, specify QDI1318T-5100-5300-K1-K1-1.

Customization is available upon request.