

## QDA-8000-18000-63.75-0.25

8~18GHz, 63.75dB, 0.25dB

### Features:

- \* Broadband
- \* High Dynamic Range

### Applications:

- \* Wireless
- \* Transmitter
- \* Laboratory Test
- \* Radar

### Electrical

Frequency:	8~18GHz
Insertion Loss:	7.5dB max.
Attenuation Flatness:	±0.4dB typ. @0.25~10dB ±0.8dB typ. @10.25~30dB ±1.5dB typ. @30.25~63.75dB
Step:	0.25dB
Attenuation Range:	0~63.75dB
Attenuation Accuracy:	±0.4dB typ. @0.25~10dB ±0.8dB typ. @10.25~30dB ±1.5dB typ. @30.25~63.75dB
VSWR:	2 max.
Voltage/Current:	-5V @15mA typ.
Input Power:	+25dBm max.

### Mechanical

Size*1:	32*20*12.7mm 1.26*0.787*0.5in
RF Connectors:	SMA Female
Power Supply & Control Interface Connectors:	J30J-15ZKP
Mounting:	4-Φ2.7 through-hole
Logic Input:	On: 1( +3~+5V) Off: 0( 0~+0.5V)

[1] Exclude connectors.

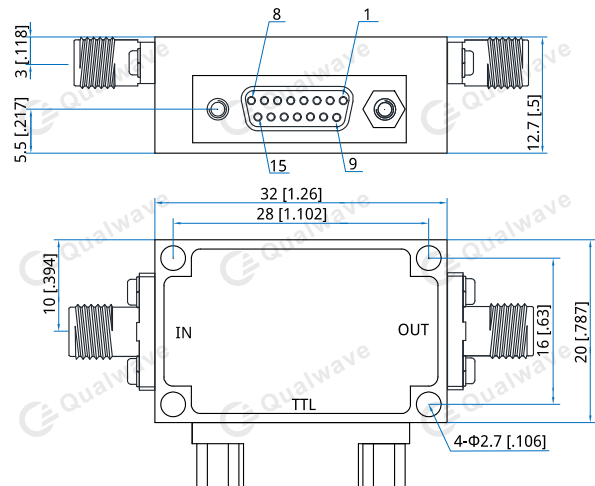
### Pin Numbering

Pin	Function	Pin	Function
1	-5V	7	C4
2	COM	8	C5
3	NC	9	C6
4	C1	10	C7
5	C2	11	C8
6	C3	12~15	NC

### Environmental

Operating Temperature:	-45~+85°C
Non-operating Temperature:	-55~+125°C

### Outline Drawings



Unit: mm [in]

Tolerance: ±0.2mm [±0.008in]

### Logic Table

State	C1	C2	C3	C4	C5	C6	C7	C8	Attenuation State
-	0	0	0	0	0	0	0	0	Reference IL
1	1	0	0	0	0	0	0	0	0.25dB
2	0	1	0	0	0	0	0	0	0.5dB
3	0	0	1	0	0	0	0	0	1dB
4	0	0	0	1	0	0	0	0	2dB
5	0	0	0	0	1	0	0	0	4dB
6	0	0	0	0	0	1	0	0	8dB
7	0	0	0	0	0	0	1	0	16dB
8	0	0	0	0	0	0	0	1	32dB
9	1	1	1	1	1	1	1	1	63.75dB

### How To Order

[QDA-8000-18000-63.75-0.25](#)

Customization is available upon request.