

QDA-4000-8000-31.5-0.5

4~8GHz, 31.5dB, 0.5dB

Features:
 * Broadband
 * High Dynamic Range

Applications:
 * Wireless
 * Transmitter
 * Laboratory Test
 * Radar

Electrical

Frequency:	4~8GHz
Insertion Loss:	4.2dB max.
Attenuation Flatness:	±0.4dB typ. @0.5~16dB ±0.8dB typ. @17.5~31.5dB
Step:	0.5dB
Attenuation Range:	0~31.5dB
Attenuation Accuracy:	±0.5dB typ. @0.5~16dB ±0.8dB typ. @17.5~31.5dB
VSWR:	1.8 max.
Voltage/Current:	-5V @15mA typ.
Input Power:	+25dBm max.

Mechanical

Size ^{*1} :	32*20*12.7mm 1.26*0.787*0.5in
RF Connectors:	SMA Female
Power Supply & Control Interface Connectors:	J30J-15ZKP
Mounting:	4-Φ2.7mm through-hole
Logic Input:	On: 1(+3~+5V) Off: 0(0~+0.5V)

[1] Exclude connectors.

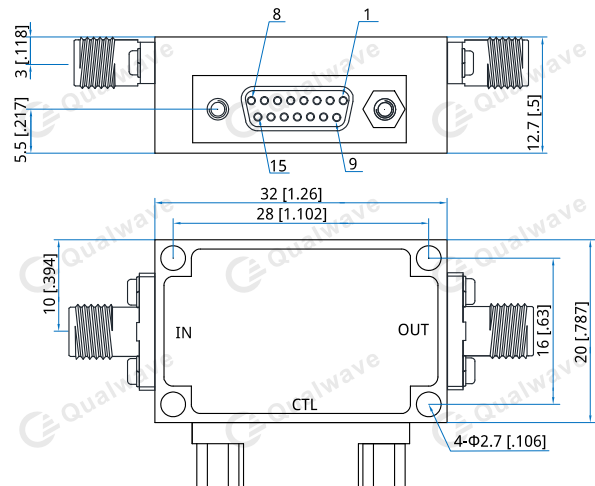
Pin Numbering

Pin	Function	Pin	Function
1	-5V	7	C4:-4dB
2	GND	8	C5:-8dB
3	NC	9	C6:-16dB
4	C1:-0.5dB	10	NC
5	C2:-1dB	11~15	NC
6	C3:-2dB		

Environmental

Operating Temperature:	-45~+85°C
Non-operating Temperature:	-55~+125°C

Outline Drawings



Unit: mm [in]
 Tolerance: ±0.2mm [±0.008in]

Logic Table

State	C1	C2	C3	C4	C5	C6	Attenuation State
-	0	0	0	0	0	0	Reference IL
1	1	0	0	0	0	0	0.5dB
2	0	1	0	0	0	0	1dB
3	0	0	1	0	0	0	2dB
4	0	0	0	1	0	0	4dB
5	0	0	0	0	1	0	8dB
6	0	0	0	0	0	1	16dB
7	1	1	1	1	1	1	31.5dB

How To Order

QDA-4000-8000-31.5-0.5

Customization is available upon request.