

QDA-1000-2000-47.5-0.5

1~2GHz, 47.5dB, 0.5dB

Features:
 * Broadband
 * High Dynamic Range

Applications:
 * Wireless
 * Transmitter
 * Laboratory Test
 * Radar

Electrical

Frequency:	1~2GHz
Insertion Loss:	3.5dB max.
Attenuation Flatness:	±0.5dB max.
Control Bits:	7
Step:	0.5dB
Attenuation Range:	0~47.5dB
Attenuation Accuracy:	3% of attenuation setting max.
Switching Time:	100nS max.
VSWR:	1.5 max. @Attenuation 0dB
Voltage:	+5V DC
Current:	0.2A typ.
Input Power:	27dBm max.

Mechanical

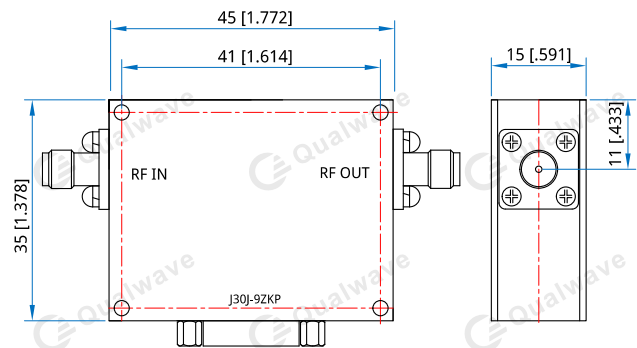
Size ^{*1} :	45*35*15mm 1.772*1.378*0.591in
RF Connectors:	SMA Female
Power Supply & Control Interface Connectors:	J30J-9ZKP
Mounting:	4-Φ2.8mm through-hole

[1] Exclude connectors.

Environmental

Operating Temperature:	-40~+70°C
Non-operating Temperature:	-55~+70°C

Outline Drawings



Unit: mm [in]

Tolerance: ±0.2mm [±0.008in]

Pin Numbering

Pin	Function	Pin	Function
1	+5V	6	4dB
2	GND	7	8dB
3	0.5dB	8	16dB
4	1dB	9	16dB
5	2dB		

How To Order

[QDA-1000-2000-47.5-0.5](#)

Customization is available upon request.