

QDA-1000-18000-63-1

1~18GHz, 63dB, 1dB

Features:
 * Broadband
 * High Dynamic Range

Applications:
 * Wireless
 * Transmitter
 * Laboratory Test
 * Radar

Electrical

Frequency:	1~18GHz
Insertion Loss:	7.5dB max.
Attenuation Flatness:	±1dB typ. @1~30dB ±2dB typ. @30~63dB
Control Bits:	6
Step:	1dB
Attenuation Range:	0~63dB
Attenuation Accuracy:	±1dB typ. @1~30dB ±2dB typ. @30~63dB
VSWR:	2 max.
Voltage/Current:	+5V @50mA typ. -5V @50mA typ.
Input Power:	+26dBm max.
Switching Time	100nS max.

Mechanical

Size*1:	38*20*12.7mm 1.496*0.787*0.5in
RF Connectors:	SMA Female
Mounting:	4-Φ2.7mm through-hole
Power Supply & Control Interface Connectors:	J30J-9ZKP
Logic Input:	On: 1(+3~+5V) Off: 0(0~+0.5V)

[1] Exclude connectors.

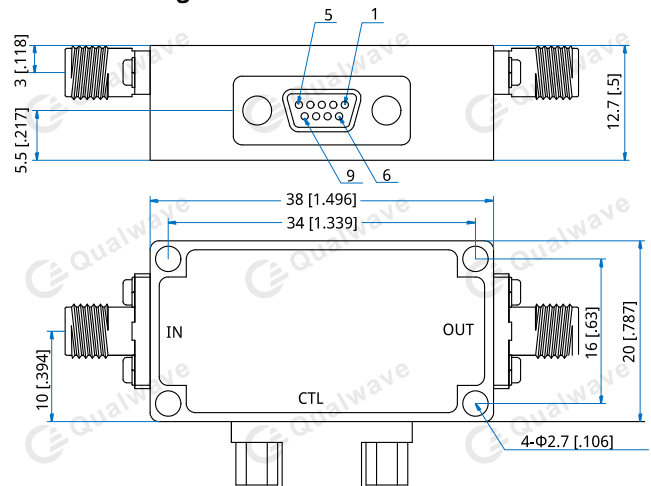
Pin Numbering

Pin	Function	Pin	Function
1	+5V	6	C3: -4dB
2	GND	7	C4: -8dB
3	-5V	8	C5: -16dB
4	C1: -1dB	9	C6: -32dB
5	C2: -2dB		

Environmental

Operating Temperature:	-45~+85°C
Non-operating Temperature:	-55~+125°C

Outline Drawings



Unit: mm [in]
 Tolerance: ±0.2mm [±0.008in]

Logic Table

State	C1	C2	C3	C4	C5	C6	Attenuation State
-	1	1	1	1	1	1	Reference IL
1	0	1	1	1	1	1	1dB
2	1	0	1	1	1	1	2dB
3	1	1	0	1	1	1	4dB
4	1	1	1	0	1	1	8dB
5	1	1	1	1	0	1	16dB
6	1	1	1	1	1	0	32dB
7	0	0	0	0	0	0	63dB

How To Order

QDA-1000-18000-63-1

Customization is available upon request.