

QDPS-1700-1975-360-6

1.7~1.975GHz, 360°, 6Bits

Features:
 * Broadband
 * High Reliable

Applications:
 * Laboratory Test
 * Instrumentation

Electrical

Frequency Range:	1.7~1.975GHz
Phase Range:	360° max.
Control Bits:	6 Bits
Step:	5.625° typ.
Insertion Loss:	5dB max.
Insertion Loss Temperature Coefficient:	0.01dB/°C typ.
Phase Flatness:	±3° max.
Input VSWR:	2 max.
Output VSWR:	2 max.
Input Power (P1dB):	25dBm typ.
Input IP3:	40dBm typ.
Impedance:	50Ω
Voltage:	±5V
Current:	10mA typ.

Mechanical

Size*1:	32*28*9.5mm 1.26*1.101*0.37in
Weight:	100g
RF Connectors:	SMA Female
Control Connector:	MICRO-D9 Female
Material:	Aluminum
Mounting:	4-Φ2.8mm through-hole

[1] Exclude connectors.

Environmental

Operating Temperature:	-45~+85°C
Non-operating Temperature:	-55~+125°C

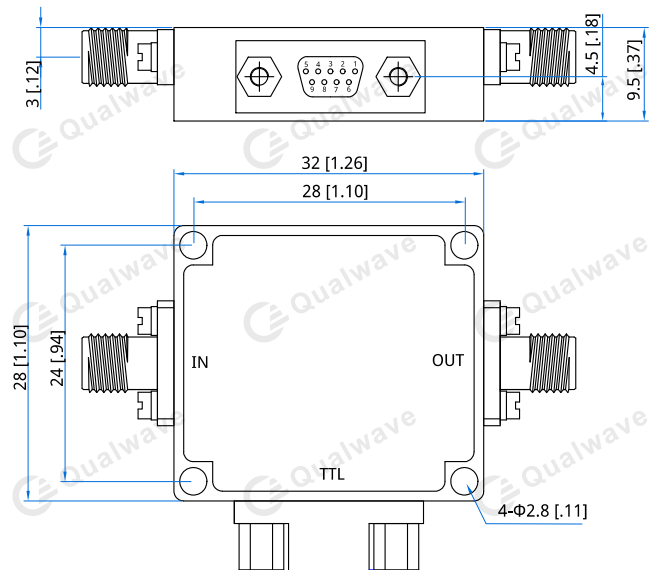
Control True Table

Pin 9	Pin 8	Pin 7	Pin 6	Pin 5	Pin 4	Phase Shift (°)
0	0	0	0	0	0	0
0	0	0	0	0	1	5.6
0	0	0	0	1	0	11.25
0	0	0	1	0	0	22.5
0	0	1	0	0	0	45
0	1	0	0	0	0	90
1	0	0	0	0	0	180
1	1	1	1	1	1	360

Pin Numbering

Pin	Function	Pin	Function
1	+5V	3	GND
2	-5V	4-9	Control

Outline Drawings



Unit: mm [in]

Tolerance: ±0.2mm [±0.008in]

How To Order

QDPS-1700-1975-360-6

Customization is available upon request.