

## QWD-28

### WR-28, 26.5~40GHz

Features:  
 \* Broadband  
 \* High Sensitivity

Applications:  
 \* Telecom  
 \* Instrumentation  
 \* Laboratory Test  
 \* Radar

#### Electrical

Frequency Range:	26.5~40GHz
Sensitivity:	300mV/mW typ.
Flatness:	±1.5dB
Polarity:	Negative
Input Power Without Damage:	+20dBm
Rise Time:	10nS
Falling Time:	10nS

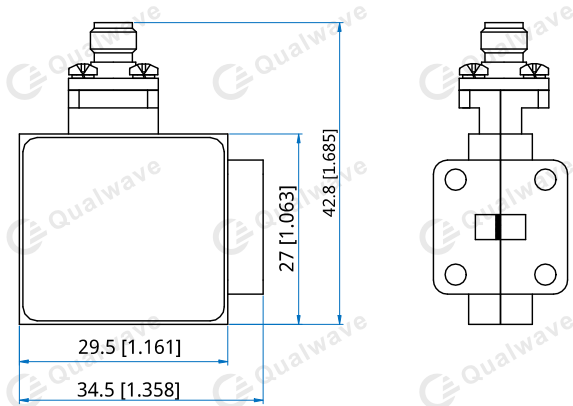
#### Mechanical

Input Connector:	WR-28 (BJ320)
Output Connector:	SMA Female

#### Environmental

Operating Temperature:	-20~+70°C
Non-operating Temperature:	-40~+85°C

#### Outline Drawings



Unit: mm [in]

Tolerance: ±0.2mm [±0.008in]

#### How To Order

**QWD-28**

Customization is available upon request.