

QDB-10-50000-22F

0.01~50GHz

Features:
 * Broadband
 * Low VSWR

Applications:
 * Telecom
 * Instrumentation
 * Laboratory Test
 * Radar

Electrical

Frequency Range:	0.01~50GHz
Insertion Loss:	0.6dB max.
VSWR:	1.4 max.
Impedance:	50Ω
Voltage:	50V max.

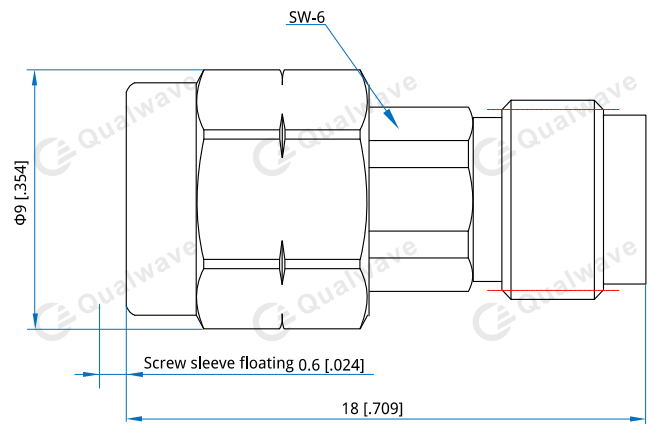
Mechanical

Connectors:	2.4mm
Outer Conductors:	Passivated stainless steel
Dielectric:	PEI
Male Inner Conductors:	Gold plated brass
Female Inner Conductors:	Gold plated beryllium copper

Environmental

Operating Temperature:	-55~+100°C
Non-Operating Temperature:	-55~+100°C

Outline Drawings



Unit: mm [in]
 Tolerance: $\pm 0.2\text{mm}$ [$\pm 0.008\text{in}$]

How To Order

QDB-10-50000-22F

Customization is available upon request.