

QDB-10-40000

10MHz~40GHz

Features:
 * Broadband
 * High Sensitivity

Applications:
 * Telecom
 * Instrumentation
 * Laboratory Test
 * Radar

Electrical

Frequency Range:	0.01~40GHz
Insertion Loss:	0.8dB max.
VSWR:	1.3 max.
Impedance:	50Ω
Voltage:	50V max.

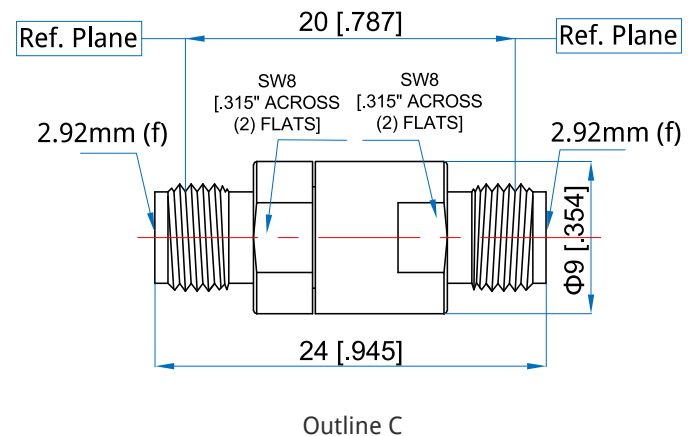
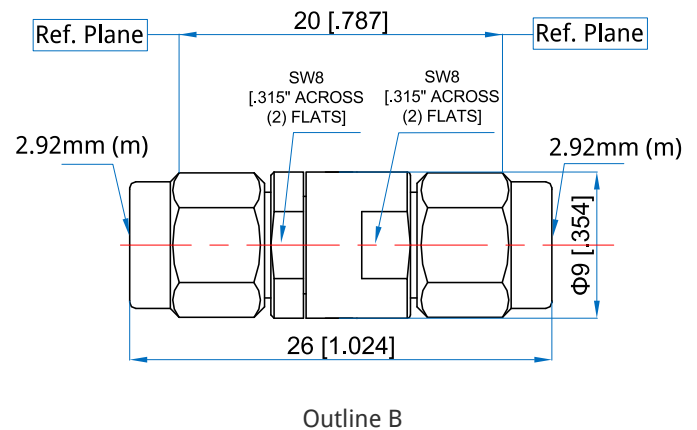
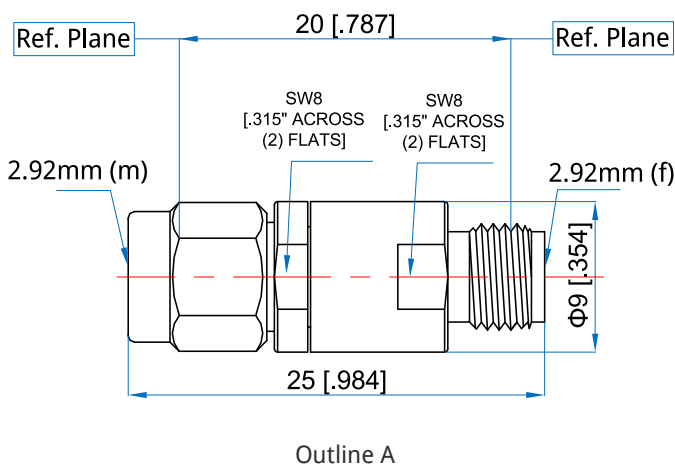
Mechanical

Connectors:	2.92mm
Mating Life Cycle:	500 cycles
Outer Conductors:	Passivated SUS303 Stainless Steel
Dielectric:	PEI
Inner Conductors:	Gold Plated Beryllium Copper

Environmental

Operating Temperature: -55~+165°C

Outline Drawings



Unit: mm [in]
 Tolerance: ±0.2mm [±0.008in]

How To Order

- QDB-10-40000-KKF - Outline A
- QDB-10-40000-KK - Outline B
- QDB-10-40000-KFKF - Outline C

Customization is available upon request.