

QDB-10-26500

10MHz~26.5GHz

Features:
 * Broadband
 * High Sensitivity

Applications:
 * Telecom
 * Instrumentation
 * Laboratory Test
 * Radar

Electrical

Frequency Range: 0.01~26.5GHz
 Insertion Loss*¹: 0.8dB max.
 Insertion Loss*²: 0.6dB max.
 VSWR: 1.3 max. @10~30MHz
 1.25 max. @0.03~26.5GHz
 Impedance: 50Ω
 Voltage: 50V max.

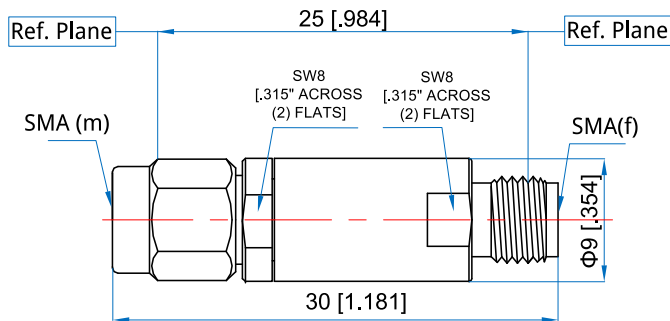
Mechanical

Connectors: SMA, 3.5mm
 Mating Life Cycle: 500 cycles
 Outer Conductors: Passivated SUS303 Stainless Steel
 Dielectric: PTFE or PEI
 Inner Conductors: Gold Plated Beryllium Copper

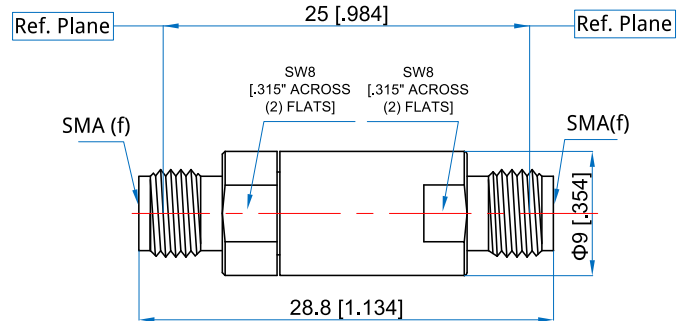
Environmental

Operating Temperature: -55~+165°C

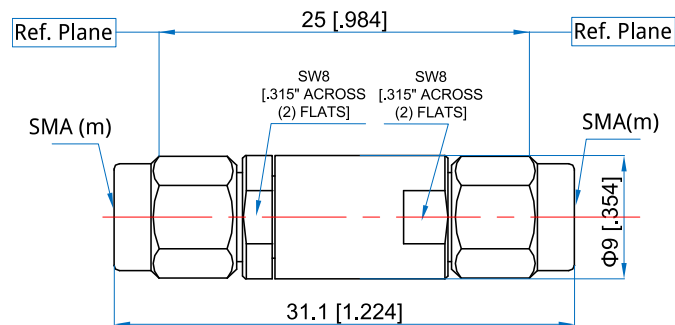
Outline Drawings



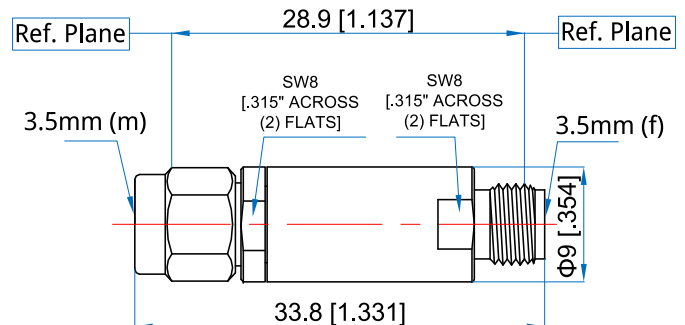
Outline A



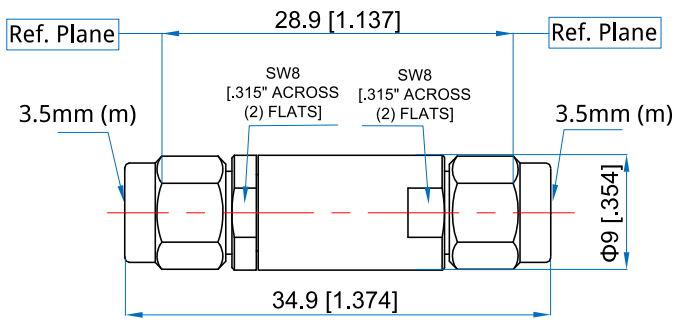
Outline C



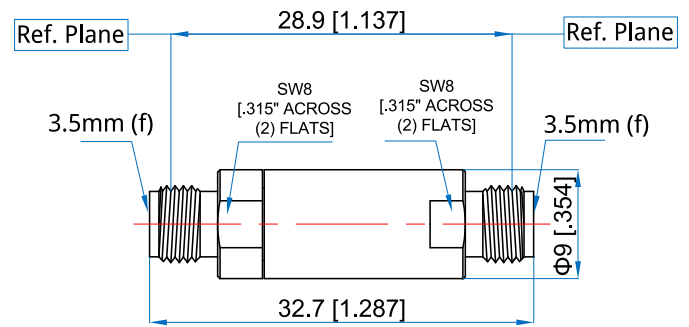
Outline B



Outline D



Outline E



Outline F

Unit: mm [in]

Tolerance: $\pm 0.2\text{mm}$ [$\pm 0.008\text{in}$]

How To Order

[QDB-10-26500-SSF](#) - Outline A

[QDB-10-26500-SS](#) - Outline B

[QDB-10-26500-SFSF](#) - Outline C

[QDB-10-26500-33F](#) - Outline D

[QDB-10-26500-33](#) - Outline E

[QDB-10-26500-3F3F](#) - Outline F

Customization is available upon request.