

QMS2KT

DC~40GHz, SPDT, Terminated

Features:
 * Low VSWR
 * Low Insertion Loss
 * High Isolation

Applications:
 * Wireless
 * Transmitter
 * Laboratory Test
 * Radar

Electrical

Frequency: DC~40GHz
 Impedance: 50Ω

Frequency range (GHz)	Insertion Loss (dB)	Isolation (dB)	VSWR
DC-6	0.3	70	1.3
6-12	0.4	60	1.4
12-18	0.5	55	1.5
18-26.5	0.6	50	1.6
26.5-32	0.7	50	1.7
32-40	0.9	50	1.9

Voltage*1 (V)	12	24	28
Current (mA)	350	200	180
	400	200	185

[1] The voltage can be selected according to user requirements.

Mechanical

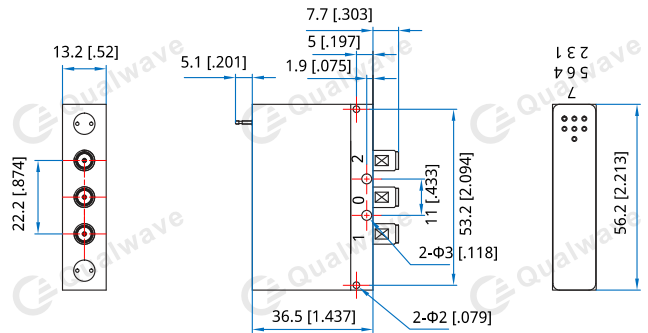
Size*2:	36.5*53.2*13.2mm 1.437*2.094*0.52in
Switching Sequence:	Break before Make
Switching Time:	15mS max.
Operation Life:	2M Cycles
Vibration (operating):	20-2000Hz, 10G RMS
Mechanical Shock (non-operating):	30G, 1/2sine, 11mS
RF Connectors:	2.92mm Female
Power Supply & Control Interface Connectors:	Feed Through/Terminal Post
Mounting:	2-Φ3mm through-hole 2-Φ2mm through-hole

[2] Exclude connectors.

Environmental

Temperature:	-25~+65°C
Extended Temperature:	-45~+85°C

Outline Drawings



Unit: mm [in]
 Tolerance: ±0.5mm [±0.02in]

Additional Options

TTL: T
 Indicators: I
 Extended Temperature: Z
 Positive Common
 Waterproof Sealing Type

QMS2KT-F-WXYZ

F: Frequency in GHz
 W: Actuator Type. Failsafe: 0, Latching: 1.
 X: Voltage. +12V: E, +24V: K, +28V: M.
 Y: Power Interface. Pin: 0, D-Sub: 1.
 Z: Additional Options.

Examples:

To order a SPDT terminated switch, DC-18GHz, Failsafe, +12V, D-Sub, TTL, Indicators, specify QMS2KT-18-0E1TI.

Customization is available upon request.

Pin Numbering

Failsafe

Pin	Function	Pin	Function
1	VDC(RF: 0 to 2)	4~5	Indicator (1~2)
2	NC	6	Indicator (COM)
3	COM(RF: 0 to 2)	7~9	NC

Latching

Pin	Function	Pin	Function
1	VDC(RF: 0 to 1)	4~5	Indicator (1~2)
2	VDC(RF: 0 to 2)	6	Indicator (COM)
3	COM	7~9	NC

Failsafe&TTL

Pin	Function	Pin	Function
1	VDC(RF: 0 to 2)	4~5	Indicator (1~2)
2	A1(RF: 0 to 2)	6	Indicator (COM)
3	COM(RF: 0 to 2)	7~9	NC

Latching&TTL

Pin	Function	Pin	Function
1	VDC	4	A2(RF: 0 to 2)
2	A1(RF: 0 to 1)	5~6	Indicator (1~2)
3	COM	7	Indicator (COM)

Driving Schematic Diagram

