

QMS12ST

DC~18GHz, SP11T~SP12T, Terminated

Features:
 * High Power
 * Long Operation Life

Applications:
 * Wireless
 * Transmitter
 * Laboratory Test
 * Radar

Electrical

Frequency:	DC~18GHz				
Impedance:	50Ω				
Frequency range (GHz)	Insertion Loss (dB)	Isolation (dB)	VSWR		
DC~6	0.3	70	1.3		
6~12	0.6	60	1.5		
12~18	0.8	60	1.8		
Voltage (V)	+12	+18	+24	+28	
Current (mA)	Normally Open	330	220	167	140
	Latching	290	225	150	120

Mechanical

Size*1:	76.2*L*76.2mm 3*L*3in			
Weight:	380g			
Switching Sequence:	Break before Make			
Switching Time:	15mS max.			
Operation Life:	1M Cycles			
Vibration (operating):	20-2000Hz, 10G RMS			
Mechanical Shock (non-operating):	50G, 1/2sine, 11mS			
RF Connectors:	SMA Female			
Power Supply & Control Interface Connectors:	D-Sub 15			
Mounting:	4-Φ4.5mm through-hole			

[1] Exclude connectors.

Pin Numbering

Pin	Function	Pin	Function
1~12	V1~V12/A1~A12	14	Reset (Latching Only)
13	COM	15	V (TTL Only)

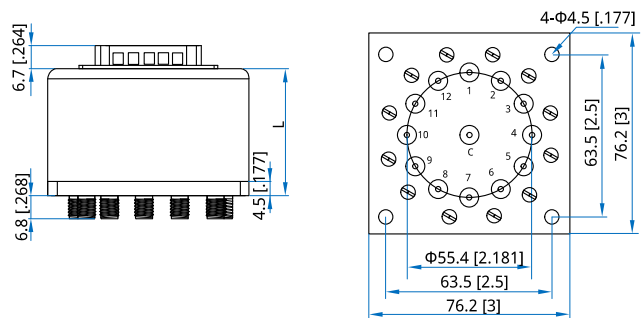
Port

SP11T	1~11	SP12T	1~12
-------	------	-------	------

Environmental

Temperature:	-25~+65°C
Extended Temperature:	-55~+85°C

Outline Drawings



Height (L)	Standard	TTL	Indicator
mm	50	60	65
in	1.97	2.36	2.56

Unit: mm [in]

Tolerance: ±0.5mm [±0.02in]

Additional Options

TTL: T Indicators: I Extended Temperature: Z

How To Order

QMSVST-F-WXYZ

V: 11~12 (SP11T~SP12T)

F: Frequency in GHz

W: Actuator Type. Latching: 1, Normally Open: 3.

X: Voltage. +12V: E, +18V: H, +24V: K, +28V: M.

Y: Power Interface. D-Sub: 1.

Z: Additional Options.

Examples:

To order a SP12T terminated switch, DC-18GHz, Normally Open, +12V, D-Sub, TTL, Indicators, specify QMS12ST-18-3E1TI.

Customization is available upon request.