

QCI4550X

High Power, High Isolation

Features:
 * High Power
 * High Isolation
 * Low Insertion Loss
 * Low VSWR

Applications:
 * Wireless
 * Radar
 * Laboratory Test

Description

QCI4550X series Coaxial Isolators cover frequency range 300~1100MHz. High power, high isolation and low insertion loss make it ideal for a lot of applications like amplifiers, transceivers, etc.

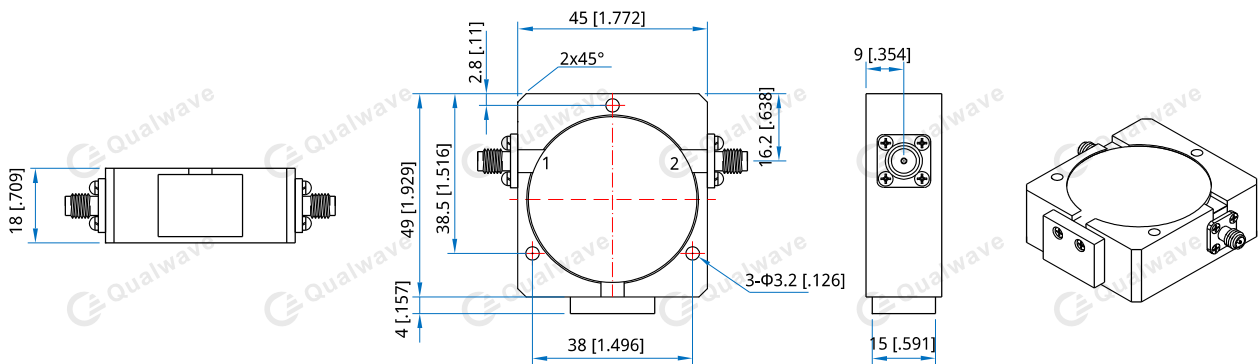
Specifications

Frequency (MHz)	Bandwidth (MHz)	IL (dB Max.)	Isolation (dB Min.)	VSWR (Max.)	Fwd Power*1 (W Max.)	Rev Power (W)	Connector	Temperature (°C)
300~420	20	0.30	23.0	1.20	400	10~100	SMA, N	-30~+70
300~420	30	0.40	20.0	1.25	400	10~100	SMA, N	-30~+70
300~420	120	0.60	18.0	1.30	400	10~100	SMA, N	-30~+70
361~366	5	0.20	30.0	1.15	400	10~100	SMA, N	-30~+70
400~470	70	0.40	20.0	1.25	400	10~100	SMA, N	-30~+70
400~500	30	0.30	23.0	1.20	400	10~100	SMA, N	-30~+70
400~500	100	0.40	20.0	1.25	400	10~100	SMA, N	-30~+70
500~700	50	0.40	20.0	1.25	400	10~100	SMA, N	-30~+70
500~700	150	0.50	18.0	1.30	400	10~100	SMA, N	-30~+70
700~900	200	0.40	20.0	1.25	400	10~100	SMA, N	-30~+70
700~1000	300	0.50	18.0	1.30	400	10~100	SMA, N	-30~+70
800~1000	200	0.40	20.0	1.20	400	10~100	SMA, N	-30~+70
800~1100	300	0.50	18.0	1.30	400	10~100	SMA, N	-30~+70

The size of the termination varies according to the reverse power

[1] The connector is SMA, and the maximum forward power can only reach 100W.

Outline Drawings



Unit: mm [inch] Tolerance: ±0.2mm [±0.008in]

Mechanical

Size*2: 45*49*18mm
1.772*1.929*0.709in

Mounting: 3- Φ 3.2mm through-hole

[2] Exclude connectors and terminations.

Connector Naming Rules:

S - SMA Female

Direction Naming Rules:

- 1 - Clockwise
- 2 - Anticlockwise

How To Order**QCI4550X-U-V-W-X-Y-Z**

U: Start frequency in MHz

V: Stop frequency in MHz

W: Forward power in W

X: Reverse power in W

Y: Connector type

Z: Direction type

Examples:

To order a QCI4550X series Isolator, 400~470MHz, Forward power 400W, Reverse power 100W, SMA female, Clockwise, specify QCI4550X-400-470-K4-K1-S-1.

Customization is available upon request.