

QCI4149A

High Power, High Isolation

Features:
 * High Power
 * High Isolation
 * Low Insertion Loss
 * Low VSWR

Applications:
 * Wireless
 * Radar
 * Laboratory Test

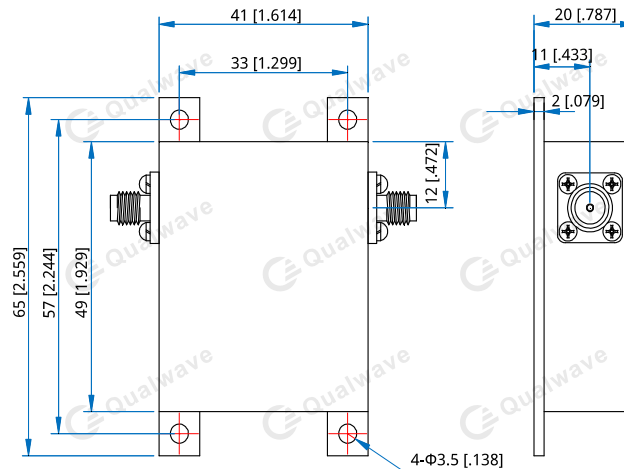
Description

QCI4149A series Coaxial Isolators cover frequency range 600~1000MHz. High power, high isolation and low insertion loss make it ideal for a lot of applications like amplifiers, transceivers, etc.

Specifications

Frequency (MHz)	Bandwidth (MHz)	IL (dB Max.)	Isolation (dB Min.)	VSWR (Max.)	Fwd Power (W Max.)	Rev Power (W)	Connector	Temperature (°C)
600~1000	400	1.0	16.0	1.4	30	10	SMA	-10~+60

Outline Drawings



Unit: mm [inch] Tolerance: $\pm 0.3\text{mm}$ [$\pm 0.012\text{in}$]

Mechanical

Size*1: 41*49*20mm
 1.614*1.929*0.787in
 Mounting: 4-Φ3.5 through hole

[1] Exclude connectors and terminations.

Connector Naming Rules:

S - SMA Female

Direction Naming Rules:

1 - Clockwise
 2 - Anticlockwise

Customization is available upon request.

How To Order

QCI4149A-U-V-W-X-Y-Z

U: Start frequency in MHz
 V: Stop frequency in MHz
 W: Forward power in W
 X: Reverse power in W
 Y: Connector type
 Z: Direction type

Examples:

To order a QCI4149A series Isolator, 600~1000MHz, Forward power 30W, Reverse power 10W, SMA female, Clockwise, specify QCI4149A-600-1000-30-10-S-1.