

QCI3030B

High Power, High Isolation

Features:

- * High Power
- * High Isolation
- * Low Insertion Loss
- * Low VSWR

Applications:

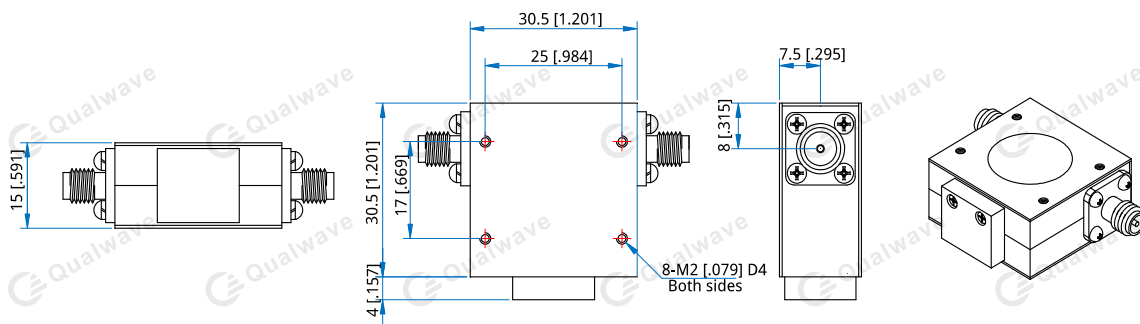
- * Wireless
- * Radar
- * Laboratory Test

Description

QCI3030B series Coaxial Isolators cover frequency range 2-6GHz. High power, high isolation and low insertion loss make it ideal for a lot of applications like amplifiers, transceivers, etc.

Specifications

Frequency (MHz)	Bandwidth (MHz)	IL (dB Max.)	Isolation (dB Min.)	VSWR (Max.)	Fwd Power (W Max.)	Rev Power (W)	Connector	Temperature (°C)
2000-6000	4000	1.70	12.0	1.60	20	20	SMA	-40~+70

Outline Drawings


Unit: mm [inch] Tolerance: $\pm 0.2\text{mm}$ [$\pm 0.008\text{in}$]

Mechanical

Size*1: 30.5*30.5*15mm
1.201*1.201*0.591in

Mounting: 8-M2 Deep 4

[1] Exclude connectors and terminations.

Connector Naming Rules:

S - SMA Female

Direction Naming Rules:

- 1 - Clockwise
- 2 - Anticlockwise

How To Order

QCI3030B-U-V-W-X-Y-Z

U: Start frequency in MHz

V: Stop frequency in MHz

W: Forward power in W

X: Reverse power in W

Y: Connector type

Z: Direction type

Examples:

To order a QCI3030B series Isolator, 2-6GHz, Forward power 20W, Reverse power 20W, SMA female, Clockwise, specify QCI3030B-2000-6000-20-20-S-1.

Customization is available upon request.