

# QCI2528C

## High Power, High Isolation

**Features:**

- \* High Power
- \* High Isolation
- \* Low Insertion Loss
- \* Low VSWR

**Applications:**

- \* Wireless
- \* Radar
- \* Laboratory Test

**Description**

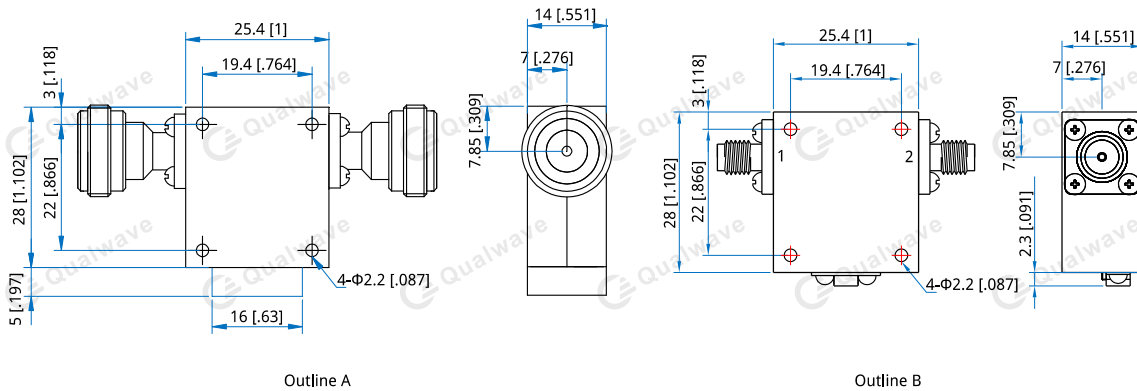
QCI2528C series Coaxial Isolators cover frequency range 2500~5900MHz. High power, high isolation and low insertion loss make it ideal for a lot of applications like amplifiers, transceivers, etc.

**Specifications**

Frequency (MHz)	Bandwidth (MHz)	IL (dB Max.)	Isolation (dB Min.)	VSWR (Max.)	Fwd Power (W Max.)	Rev Power (W)	Connector	Temperature (°C)
2500~6000	3500	0.90	17	1.35	100	20	N	0~+60
2700~4500	1800	0.65	18	1.30	100	20	N	0~+60
2700~6200	3500	0.80	16	1.40	100, 60	20	SMA, N	0~+60
3000~3600	600	0.60	19	1.25	100	20	N	-30~+70
3000~4200	1200	0.60	18	1.30	100	20	N	-30~+70
3000~4800	1800	0.60	18	1.30	100	20	N	-30~+70
3000~5000	2000	0.60	18	1.25	100	20	N	-30~+70
3000~6000	3000	0.60	18	1.30	100, 60	100, 20	SMA, N	-30~+70
3200~6000	2800	0.60	18	1.30	100	20	N	-30~+70
3300~3800	500	0.50	20	1.25	100	20	N	-30~+70
3300~5000	1700	0.60	18	1.30	100	20	N	-30~+70
3400~3600	200	0.50	20	1.20	100	20	N	-30~+70
3400~4200	800	0.55	20	1.25	100	20	N	-30~+70
3700~4200	500	0.50	20	1.20	100	20	N	-30~+70
4000~5000	1000	0.60	20	1.25	100	20	N	-30~+70
4000~6000	2000	0.60	20	1.25	100	20	N	-30~+70
4400~5000	600	0.60	20	1.25	100	20	N	-30~+70
4400~5250	850	0.60	20	1.20	100	20	N	-30~+70
4400~5900	1500	0.60	20	1.25	100	20	N	-30~+70
4500~5250	750	0.60	20	1.25	100	20	N	-30~+70
4900~5800	900	0.60	20	1.25	100	20	N	-30~+70
5000~6000	1000	0.60	18	1.30	100	20	N	-30~+70
5000~6500	1500	0.60	18	1.30	100	20	N	-30~+70
5300~5900	600	0.60	20	1.20	100	20	N	-30~+70
5300~6300	1000	0.60	18	1.30	100	20	N	-30~+70
5400~5800	400	0.60	20	1.25	100	20	N	-30~+70

Frequency (MHz)	Bandwidth (MHz)	IL (dB Max.)	Isolation (dB Min.)	VSWR (Max.)	Fwd Power (W Max.)	Rev Power (W)	Connector	Temperature (°C)
5400~6200	800	0.60	18	1.30	100	20	N	0~+60
5500~6000	500	0.60	20	1.25	100	20	N	0~+60
5700~5880	180	0.60	23	1.20	100	20	N	-30~+70
5700~5900	200	0.60	23	1.25	100	20	N	-30~+70

## Outline Drawings



Unit: mm [inch]      Tolerance: ±0.2mm [±0.008in]

### Mechanical

Size\*1: 25.4\*28\*14mm  
 1\*1.102\*0.551in

Mounting: 4-Φ2.2mm through-hole

[1] Exclude connectors and terminations.

### Connector Naming Rules:

S - SMA Female (Outline B)  
 N - N Female (Outline A)

### Direction Naming Rules:

1 - Clockwise  
 2 - Anticlockwise

### How To Order

#### QCI2528C-U-V-W-X-Y-Z

U: Start frequency in MHz  
 V: Stop frequency in MHz  
 W: Forward power in W  
 X: Reverse power in W  
 Y: Connector type  
 Z: Direction type

#### Examples:

To order a QCI2528C series Isolator, 3000~6000MHz, Forward power 60W, Reverse power 20W, SMA female, Clockwise, specify QCI2528C-3000-6000-60-20-S-1.

Customization is available upon request.