

QCI2528B

High Power, High Isolation

Features:

- * High Power
- * High Isolation
- * Low Insertion Loss
- * Low VSWR

Applications:

- * Wireless
- * Radar
- * Laboratory Test

Description

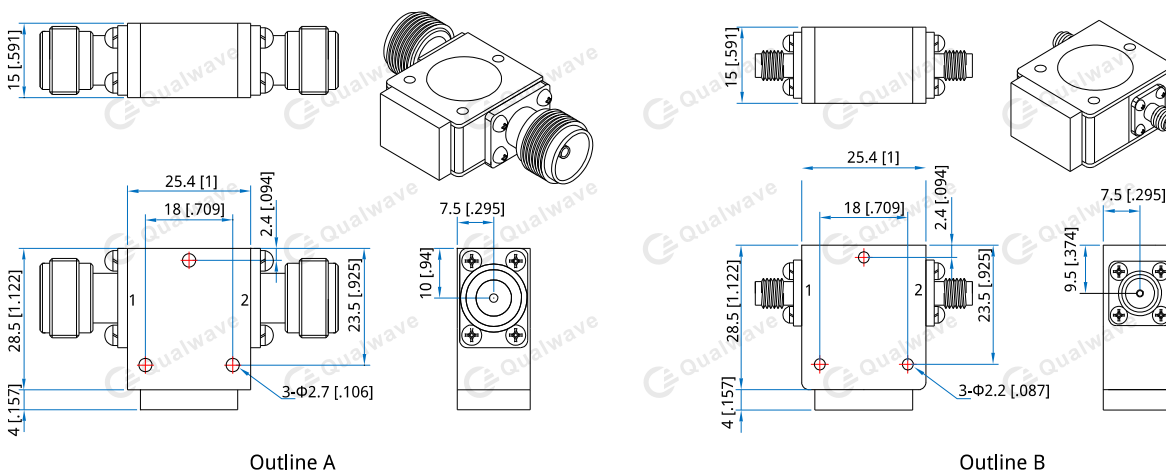
QCI2528B series Coaxial Isolators cover frequency range 900~4000MHz. High power, high isolation and low insertion loss make it ideal for a lot of applications like amplifiers, transceivers, etc.

Specifications

Frequency (MHz)	Bandwidth (MHz)	IL (dB Max.)	Isolation (dB Min.)	VSWR (Max.)	Fwd Power* ¹ (W Max.)	Rev Power (W)	Connector	Temperature (°C)
800~1300	70	0.30	23.0	1.20	200	10~100	SMA, N	-30~+70
820~880	60	0.30	23.0	1.20	200	10~100	SMA, N	-30~+70
920~960	40	0.30	23.0	1.20	200	10~100	SMA, N	-30~+70
1200~1400	200	0.30	23.0	1.20	200	10~100	SMA, N	-30~+70
1300~4000	100	0.30	23.0	1.20	200	10~100	SMA, N	-30~+70
1700~1900	200	0.40	20.0	1.25	200	10~100	SMA, N	-30~+70
1900~2200	300	0.40	20.0	1.25	200	10~100	SMA, N	-30~+70
2200~2500	300	0.35	20.0	1.20	200	10~100	SMA, N	-30~+70
2500~2700	200	0.30	23.0	1.20	200	10~100	SMA, N	-30~+70
2700~3100	400	0.30	20.0	1.25	200	10~100	SMA, N	-30~+70
3100~3400	300	0.30	20.0	1.20	200	10~100	SMA, N	-30~+70
3400~3600	200	0.30	20.0	1.20	200	10~100	SMA, N	-30~+70
3600~4000	400	0.30	20.0	1.25	200	10~100	SMA, N	-30~+70

The size of the termination varies according to the reverse power

[1] The connector is SMA, and the maximum forward power can only reach 100W.

Outline Drawings


Unit: mm [inch]

Tolerance: ±0.2mm [±0.008in]

Mechanical

Size ^{*2} :	25.4*28.5*15mm 1*1.122*0.591in
Mounting:	3- Φ 2.7mm through-hole (N) 3- Φ 2.2mm through-hole (SMA)

[2] Exclude connectors and terminations.

Connector Naming Rules:

- N - N Female (Outline A)
- S - SMA Female (Outline B)

Direction Naming Rules:

- 1 - Clockwise
- 2 - Anticlockwise

How To Order**QCI2528B-U-V-W-X-Y-Z**

- U: Start frequency in MHz
- V: Stop frequency in MHz
- W: Forward power in W
- X: Reverse power in W
- Y: Connector type
- Z: Direction type

Examples:

To order a QCI2528B series Isolator, 820~880MHz, Forward power 200W, Reverse power 100W, N female, Clockwise, specify QCI2528B-820-860-K2-K1-N-1.

Customization is available upon request.