

QCI1626B

High Power, High Isolation

Features:
 * High Power
 * High Isolation
 * Low Insertion Loss
 * Low VSWR

Applications:
 * Wireless
 * Radar
 * Laboratory Test

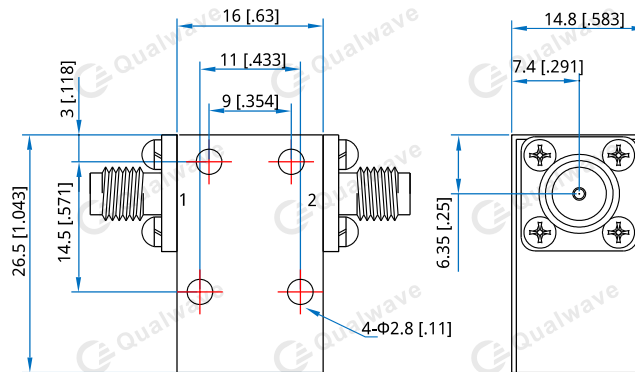
Description

QCI1626B series Coaxial Isolators cover frequency range 3700~5000MHz. High power, high isolation and low insertion loss make it ideal for a lot of applications like amplifiers, transceivers, etc.

Specifications

Frequency (MHz)	Bandwidth (MHz)	IL (dB Max.)	Isolation (dB Min.)	VSWR (Max.)	Fwd Power (W Max.)	Rev Power (W)	Connector	Temperature (°C)
3700~4200	500	0.40	20.0	1.25	60	10	SMA	-10~+60
4000~5000	1000	0.40	20.0	1.25	60	10	SMA	-10~+60

Outline Drawings



Unit: mm [inch] Tolerance: ±0.2mm [±0.008in]

Mechanical

Size*1: 16*26.5*14.8mm
 0.63*1.043*0.583in

Mounting: 4-Φ2.8mm through-hole

[1] Exclude connectors and terminations.

Connector Naming Rules:

S - SMA Female

Direction Naming Rules:

1 - Clockwise
 2 - Anticlockwise

How To Order

QCI1626B-U-V-W-X-Y-Z

U: Start frequency in MHz
 V: Stop frequency in MHz
 W: Forward power in W
 X: Reverse power in W
 Y: Connector type
 Z: Direction type

Examples:

To order a QCI1626B series Isolator, 3700~4200MHz, Forward power 60W, Reverse power 10W, SMA female, Clockwise, specify QCI1626B-3700-4200-60-10-S-1.

Customization is available upon request.