

# QCI1622B

## High Power, High Isolation

Features:  
 \* High Power  
 \* High Isolation  
 \* Low Insertion Loss  
 \* Low VSWR

Applications:  
 \* Wireless  
 \* Radar  
 \* Laboratory Test

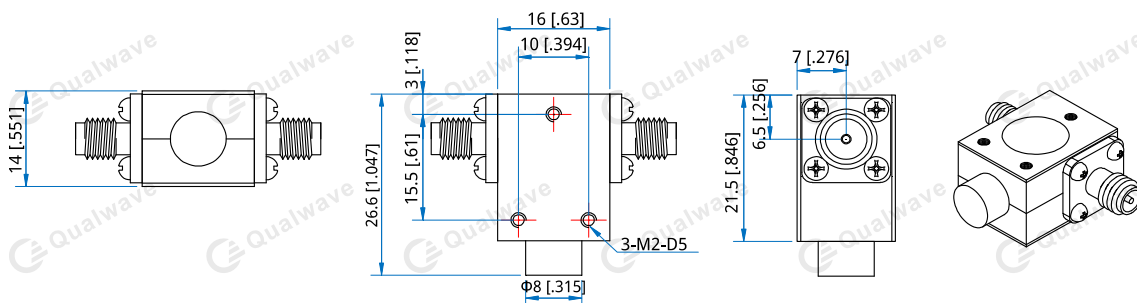
### Description

QCI1622B series Coaxial Isolators cover frequency range 6~18GHz. High power, high isolation and low insertion loss make it ideal for a lot of applications like amplifiers, transceivers, etc.

### Specifications

Frequency (MHz)	Bandwidth (MHz)	IL (dB Max.)	Isolation (dB Min.)	VSWR (Max.)	Fwd Power (W Max.)	Rev Power (W)	Connector	Temperature (°C)
6000~18000	12000	1.50	9.50	2.00	20	10	SMA	0~+60
8000~18000	10000	1.40	12.0	1.60	30	10	SMA	0~+60
12000~18000	6000	0.80	17.0	1.40	30	10	SMA	0~+60

### Outline Drawings



Unit: mm [inch]      Tolerance: ±0.2mm [±0.008in]

### Mechanical

Size\*1: 16\*21.5\*14mm  
 0.63\*0.846\*0.551in

Mounting: 3-M2, depth 5mm

[1] Exclude connectors and terminations.

### Connector Naming Rules:

S - SMA Female

### Direction Naming Rules:

- 1 - Clockwise
- 2 - Anticlockwise

### How To Order

#### QCI1622B-U-V-W-X-Y-Z

- U: Start frequency in MHz
- V: Stop frequency in MHz
- W: Forward power in W
- X: Reverse power in W
- Y: Connector type
- Z: Direction type

#### Examples:

To order a QCI1622B series Isolator, 8~18GHz, Forward power 30W, Reverse power 10W, SMA female, Clockwise, specify QCI1622B-8000-18000-30-10-S-1.

Customization is available upon request.