

QCI1319C

High Power, High Isolation

Features:
 * High Power
 * High Isolation
 * Low Insertion Loss
 * Low VSWR

Applications:
 * Wireless
 * Radar
 * Laboratory Test

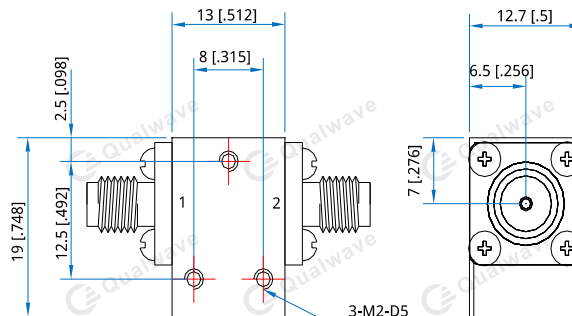
Description

QCI1319C series Coaxial Isolators cover frequency range 7~15GHz. High power, high isolation and low insertion loss make it ideal for a lot of applications like amplifiers, transceivers, etc.

Specifications

Frequency (MHz)	Bandwidth (MHz)	IL (dB Max.)	Isolation (dB Min.)	VSWR (Max.)	Fwd Power (W Max.)	Rev Power (W)	Connector	Temperature (°C)
7000~9000	2000	0.50	18.0	1.30	20	10	SMA	-10~+60
8000~12000	4000	0.50	18.0	1.30	20	10	SMA	-10~+60
9000~10200	1200	0.40	20.0	1.25	20	10	SMA	-10~+60
10000~11000	1000	0.30	23.0	1.20	20	10	SMA	-10~+60
10700~12700	2000	0.40	20.0	1.20	20	10	SMA	-10~+60

Outline Drawings



Unit: mm [inch] Tolerance: ±0.2mm [±0.008in]

Mechanical

Size^{*1}: 13*19*12.7mm
 0.512*0.748*0.5in

Mounting: 3-M2, depth 5mm

[1] Exclude connectors and terminations.

Connector Naming Rules:

S - SMA Female

Direction Naming Rules:

- 1 - Clockwise
- 2 - Anticlockwise

Customization is available upon request.

How To Order

QCI1319C-U-V-W-X-Y-Z

U: Start frequency in MHz

V: Stop frequency in MHz

W: Forward power in W

X: Reverse power in W

Y: Connector type

Z: Direction type

Examples:

To order a QCI1319C series Isolator, 7.7~8.5GHz, Forward power 20W, Reverse power 10W, SMA female, Clockwise, specify QCI1319C-7700-8500-20-10-S-1.