

## QCI12060H

### High Power, High Isolation

Features:  
 \* High Power  
 \* High Isolation  
 \* Low Insertion Loss  
 \* Low VSWR

Applications:  
 \* Wireless  
 \* Radar  
 \* Laboratory Test

### Description

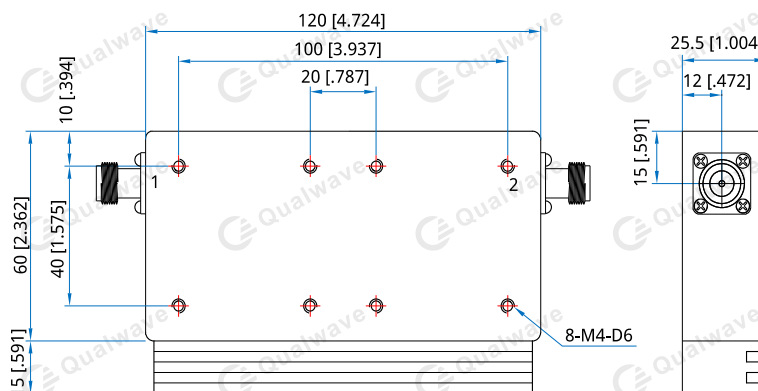
QCI12060H series Coaxial Isolators cover frequency range 70~230MHz. High power, high isolation and low insertion loss make it ideal for a lot of applications like amplifiers, transceivers, etc.

### Specifications

Frequency (MHz)	Bandwidth (MHz)	IL (dB Max.)	Isolation (dB Min.)	VSWR (Max.)	Fwd Power*1 (W Max.)	Rev Power (W)	Connector	Temperature (°C)
70~80	10	2.0	40.0	1.30	150	10~100	SMA, N	-30~+70
88~108	20	1.2	40.0	1.20	150	10~100	SMA, N	-30~+70
108~112	4	1.2	45.0	1.20	150	10~100	SMA, N	-30~+70
110~120	10	1.2	45.0	1.20	150	10~100	SMA, N	-30~+70
117~138	21	1.2	40.0	1.20	150	10~100	SMA, N	-30~+70
130~170	40	1.3	40.0	1.30	150	10~100	SMA, N	-30~+70
135~145	10	1.0	45.0	1.25	150	10~100	SMA, N	-30~+70
136~174	38	1.2	40.0	1.20	150	10~100	SMA, N	-30~+70
140~160	20	1.0	45.0	1.20	150	10~100	SMA, N	-30~+70
150~180	30	1.2	40.0	1.20	150	10~100	SMA, N	-30~+70
157~168	11	1.0	50.0	1.20	150	10~100	SMA, N	-30~+70
160~190	30	1.2	40.0	1.20	150	10~100	SMA, N	-30~+70
174~230	56	1.2	40.0	1.20	150	10~100	SMA, N	-30~+70

[1] The connector is SMA, and the maximum forward power can only reach 100W.

### Outline Drawings



Unit: mm [inch]      Tolerance: ±0.2mm [±0.008in]

### Mechanical

---

Size\*2: 120\*60\*25.5mm  
4.724\*2.362\*1.004in

Mounting: 8-M4, depth 6mm

[2] Exclude connectors and terminations.

### Connector Naming Rules:

N - N Female

### Direction Naming Rules:

1 - Clockwise

2 - Anticlockwise

### How To Order

#### QCI12060H-U-V-W-X-Y-Z

U: Start frequency in MHz

V: Stop frequency in MHz

W: Forward power in W

X: Reverse power in W

Y: Connector type

Z: Direction type

#### Examples:

To order a QCI12060H series Isolator, 70-80MHz, Forward power 150W, Reverse power 100W, N female, Clockwise,, specify QCI12060H-70-80-K15-K1-N-1.

Customization is available upon request.