

## QCI12060E

### High Power, High Isolation

- |                                                                                            |                                                                    |
|--------------------------------------------------------------------------------------------|--------------------------------------------------------------------|
| <b>Features:</b><br>* High Power<br>* High Isolation<br>* Low Insertion Loss<br>* Low VSWR | <b>Applications:</b><br>* Wireless<br>* Radar<br>* Laboratory Test |
|--------------------------------------------------------------------------------------------|--------------------------------------------------------------------|

### Description

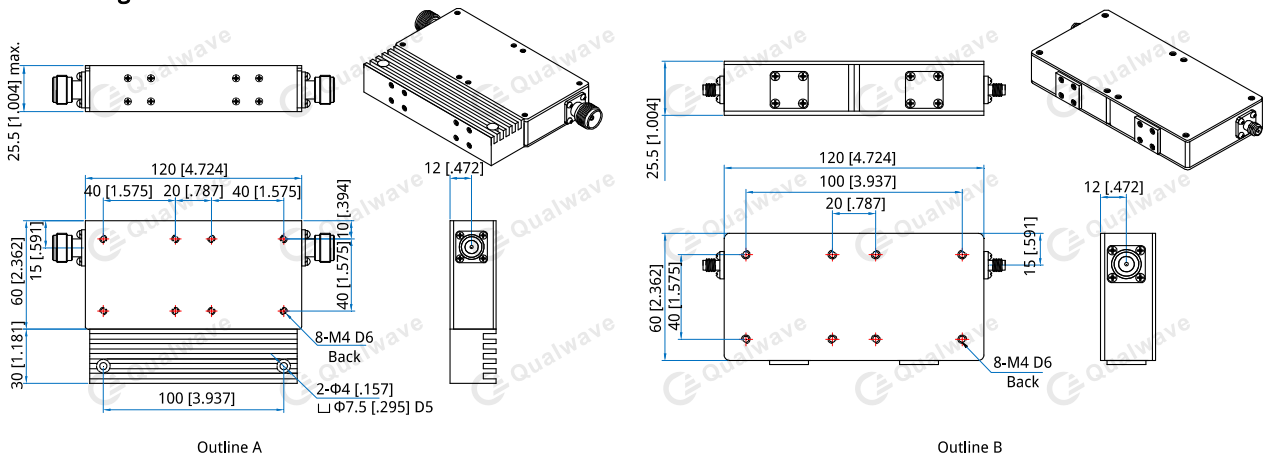
QCI12060E series Coaxial Isolators cover frequency range 117~400MHz. High power, high isolation and low insertion loss make it ideal for a lot of applications like amplifiers, transceivers, etc.

### Specifications

Frequency (MHz)	Bandwidth (MHz)	IL (dB Max.)	Isolation (dB Min.)	VSWR (Max.)	Fwd Power (W Max.)	Rev Power (W)	Connector	Temperature (°C)
117~137	20	1.0	50.0	1.25	200	200	N	0~+60
225~400	175	1.6	34.0	1.35	100	20 <sup>*1</sup>	SMA	0~+60

[1] Built-in resistor, user solves heat dissipation problems.

### Outline Drawings



Unit: mm [inch] Tolerance: ±0.2mm [±0.008in]

### Mechanical

Size<sup>\*2</sup>: 120\*60\*25.5mm  
 4.724\*2.362\*1.004in  
 Mounting: 8-M4, depth 6mm

[2] Exclude connectors and terminations.

### Connector Naming Rules:

- N - N Female (Outline A)
- S - SMA Female (Outline B)

### Direction Naming Rules:

- 1 - Clockwise
- 2 - Anticlockwise

### How To Order

#### QCI12060E-U-V-W-X-Y-Z

- U: Start frequency in MHz
- V: Stop frequency in MHz
- W: Forward power in W
- X: Reverse power in W
- Y: Connector type
- Z: Direction type

#### Examples:

To order a QCI12060E series Isolator, 225~400MHz, Forward power 100W, Reverse power 20W, N female, Clockwise, specify QCI12060E-225-400-K1-20-S-1.

Customization is available upon request.