

QCI-4000-8000-K2-N-1

4~8GHz, 200W, N Female, Clockwise

Features:
 * Broadband
 * High Power
 * Low Insertion Loss

Applications:
 * Wireless
 * Radar
 * Laboratory Test

Electrical

Frequency: 4~8GHz
 VSWR: 1.5 max.
 Insertion Loss: 0.6dB max.
 Isolation: 15dB min.
 Average Power: 200W

Mechanical

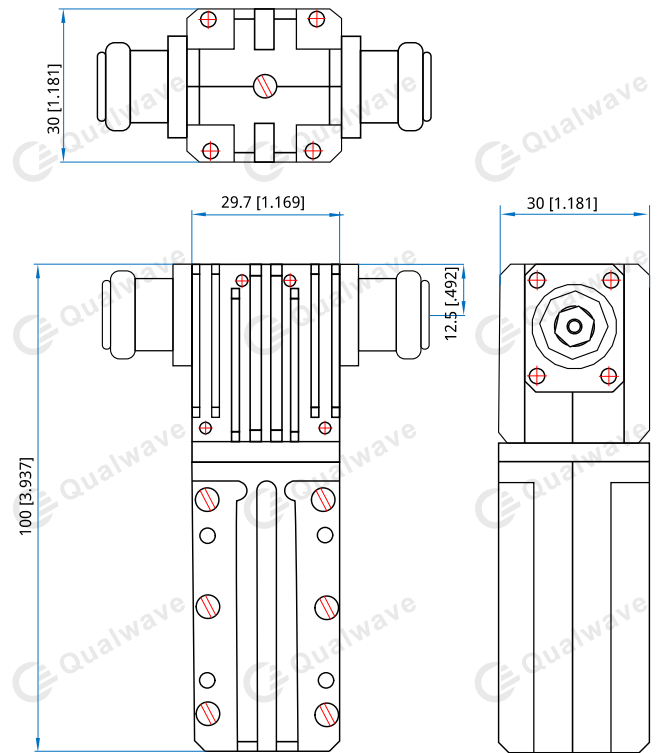
Size^{*1}: 29.7*100*30mm
 1.169*3.937*1.181in
 RF Connectors: N Female
 Direction: Clockwise

[1] Exclude connectors and terminations.

Environmental

Operating Temperature: -20~+60°C
 Non-operating Temperature: -55~+85°C

Outline Drawings



Unit: mm [in]
 Tolerance: ±0.2mm [±0.008in]

How To Order
QCI-4000-8000-K2-N-1

Customization is available upon request.