

QCI-2000-4000-K5-N-1

2~4GHz, 500W, N Female, Clockwise

Features:
 * Broadband
 * High Power
 * Low Insertion Loss

Applications:
 * Wireless
 * Radar
 * Laboratory Test

Electrical

Frequency: 2~4GHz
 VSWR: 1.5 max.
 Insertion Loss: 0.6dB max.
 Isolation: 15dB min.
 Average Power: 500W

Mechanical

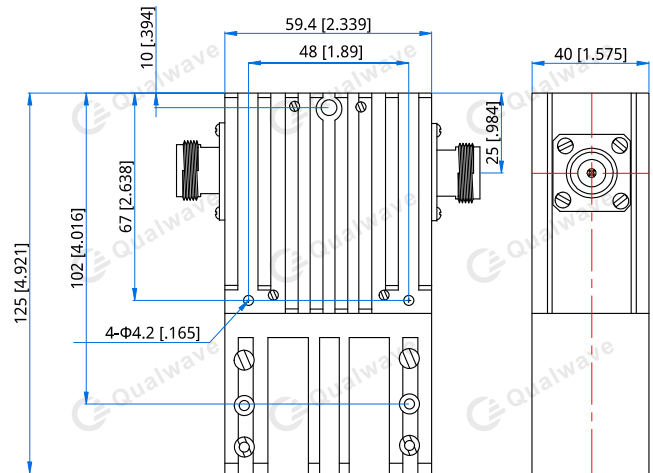
Size^{*1}: 59.4*125*40mm
 2.339*4.921*1.575in
 RF Connectors: N Female
 Mounting: 4- Φ 4.2mm through-hole
 Cooling: Forced air
 Direction: Clockwise

[1] Exclude connectors and terminations.

Environmental

Operating Temperature: -20~+60°C
 Non-operating Temperature: -55~+85°C

Outline Drawings



Unit: mm [in]
 Tolerance: ± 0.2 mm [± 0.008 in]

How To Order

QCI-2000-4000-K5-N-1

Customization is available upon request.