

QCCR

High Power, High Isolation

Features:
 * High Power
 * High Isolation
 * Low Insertion Loss
 * Low VSWR

Applications:
 * Wireless
 * Radar
 * Laboratory Test

Description

QCCR series Dual Junction Coaxial Circulators cover frequency range 180~500MHz. High power, high isolation and low insertion loss make it ideal for a lot of applications like amplifiers, transceivers, etc.

Specifications

Part Number	Frequency Range (MHz)	Insertion Loss (dB, max.)	Isolation (dB, min.)	VSWR (max.)	Temperature (°C)
QCCR-180-200	180~200	1.4	36	1.3	-20 ~ +65
QCCR-197X-207X	197.5~207.5	1.2	40	1.25	-20 ~ +65
QCCR-200-210	200~210	1	40	1.25	-20 ~ +65
QCCR-210-250	210~250	1.6	36	1.3	-20 ~ +65
QCCR-250-280	250~280	1	40	1.25	-20 ~ +65
QCCR-265-275	265~275	0.8	40	1.2	-30 ~ +70
QCCR-360-400	360~400	0.7	50	1.2	-30 ~ +70
QCCR-400-430	400~430	0.6	50	1.2	-30 ~ +70
QCCR-400-470	400~470	0.7	45	1.2	-30 ~ +70
QCCR-430-470	430~470	0.6	50	1.2	-30 ~ +70

Power Handling

Forward Power^{*1}: 100W
 Forward Power^{*2}: 300W
 Reverse Power^{*1}: 100W
 Reverse Power^{*2}: 300W

[1] SMA connector.

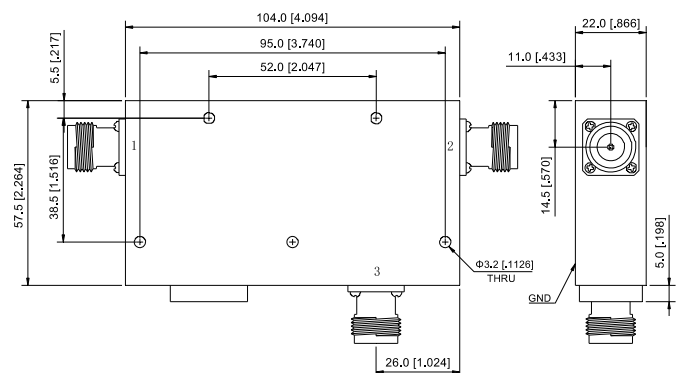
[2] N connector.

Mechanical

Size^{*3}: 104.0*57.5*22.0mm
 4.094*2.264*0.866in
 Connectors: N, SMA

[3] Exclude connectors and terminations.

Outline Drawings



Unit: mm [inch]

Tolerance: ±0.2mm [±0.008in]

How To Order

QCCR-X-Y-Z-D

X: Start frequency in MHz

Y: Stop frequency in MHz

Z: Connector type

Connector naming rules:

S - SMA

N - N

Male Connector - Add 'M' after connector name

Examples:

To order a QCCR series circulator, 180-200MHz, N female, specify QCCR-180-200-N-D.

Customization is available upon request.