

QCCL

High Power, High Isolation

Features:
 * High Power
 * High Isolation
 * Low Insertion Loss
 * Low VSWR

Applications:
 * Wireless
 * Radar
 * Laboratory Test

Description

QCCL series coaxial circulators cover frequency range 1000~3800MHz. High power, high isolation and low insertion loss make it ideal for a lot of applications like amplifiers, transceivers, etc.

Specifications

Part Number	Frequency Range (MHz)	Insertion Loss (dB, max.)	Isolation (dB, min.)	VSWR (max.)	Temperature (°C)
QCCL-1000-1050	1000~1050	0.3	23	1.2	-40 ~ +85
QCCL-1070-1210	1070~1210	0.4	20	1.25	-40 ~ +85
QCCL-1350-1550	1350~1550	0.4	20	1.25	-40 ~ +85
QCCL-1500-1700	1500~1700	0.4	20	1.25	-40 ~ +85
QCCL-1710-1785	1710~1785	0.3	23	1.2	-40 ~ +85
QCCL-1700-2100	1700~2100	0.4	23	1.2	-40 ~ +85
QCCL-1805-2170	1805~2170	0.4	20	1.25	-40 ~ +85
QCCL-1805-1880	1805~1880	0.3	23	1.2	-40 ~ +85
QCCL-1900-2200	1900~2200	0.4	23	1.25	-40 ~ +85
QCCL-1920-1990	1920~1990	0.3	23	1.2	-40 ~ +85
QCCL-2000-2300	2000~2300	0.4	23	1.25	-40 ~ +85
QCCL-2000-2500 ^{*1}	2000~2500	0.5	18	1.3	-20 ~ +80
QCCL-2110-2170	2110~2170	0.3	23	1.2	-40 ~ +85
QCCL-2300-2500	2300~2500	0.3	23	1.2	-40 ~ +85
QCCL-2350-2550	2350~2550	0.3	23	1.2	-40 ~ +85
QCCL-2400-2600	2400~2600	0.3	23	1.2	-40 ~ +85
QCCL-2500-2700	2500~2700	0.3	23	1.2	-40 ~ +85
QCCL-2700-3000	2700~3000	0.3	23	1.2	-40 ~ +85
QCCL-2700-3100	2700~3100	0.3	20	1.25	-40 ~ +85
QCCL-3100-3500 ^{*2}	3100~3500	0.3	20	1.25	-40 ~ +85
QCCL-3400-3800 ^{*2}	3400~3800	0.4	20	1.25	-40 ~ +85

[1] Power is up to 500W for N-connector circulators.

[2] Power is up to 400W for N-connector circulators.

Power Handling

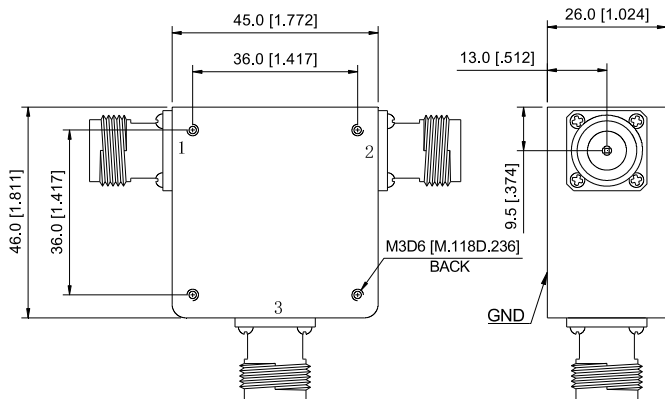
Forward Power: 600W
 Reverse Power: 600W

Mechanical

Size^{*3}: 45.0*46.0*26.0mm
 1.772*1.811*1.024in
 Connectors: N

[3] Exclude connectors.

Outline Drawings



Unit: mm [inch]
 Tolerance: $\pm 0.2\text{mm}$ [$\pm 0.008\text{in}$]

How To Order
QCCL-X-Y-Z

X: Start frequency in MHz
 Y: Stop frequency in MHz
 Z: Connector type

Connector naming rules:
 N - N
 Male Connector - Add 'M' after connector name

Examples:
 To order a QCCL series circulator, 1000-1050MHz, N female,
 specify QCCL-1000-1050-N.

Customization is available upon request.