

QCCH

High Power, High Isolation

Features:
 * High Power
 * High Isolation
 * Low Insertion Loss
 * Low VSWR

Applications:
 * Wireless
 * Radar
 * Laboratory Test

Description

QCCH series coaxial circulators cover frequency range 300~1875MHz. High power, high isolation and low insertion loss make it ideal for a lot of applications like amplifiers, transceivers, etc.

Specifications

Part Number	Frequency Range (MHz)	Insertion Loss (dB, max.)	Isolation (dB, min.)	VSWR (max.)	Temperature (°C)
QCCH-300-320	300 ~ 320	0.8	18	1.3	-20 ~ +65
QCCH-309-339	309 ~ 339	0.7	18	1.3	-20 ~ +65
QCCH-350-370	350 ~ 370	0.3	23	1.2	-20 ~ +65
QCCH-380-460	380 ~ 460	0.5	18	1.3	-30 ~ +70
QCCH-390-410	390 ~ 410	0.3	23	1.2	-30 ~ +70
QCCH-400-470	400 ~ 470	0.5	20	1.25	-30 ~ +70
QCCH-440-470	440 ~ 470	0.3	23	1.2	-30 ~ +70
QCCH-470-570	470 ~ 570	0.45	19	1.25	-20 ~ +65
QCCH-570-670	570 ~ 670	0.4	20	1.25	-20 ~ +65
QCCH-670-770	670 ~ 770	0.4	20	1.25	-20 ~ +65
QCCH-770-860	770 ~ 860	0.35	23	1.2	-20 ~ +65
QCCH-600-800	600 ~ 800	0.5	18	1.3	-30 ~ +70
QCCH-860-872	860 ~ 872	0.3	30	1.15	-30 ~ +70
QCCH-900-930	900 ~ 930	0.3	30	1.15	-30 ~ +70

Power Handling

Forward Power^{*1}: 100W
 Forward Power^{*2}: 300W
 Reverse Power^{*1}: 100W
 Reverse Power^{*2}: 300W

[1] SMA connector.

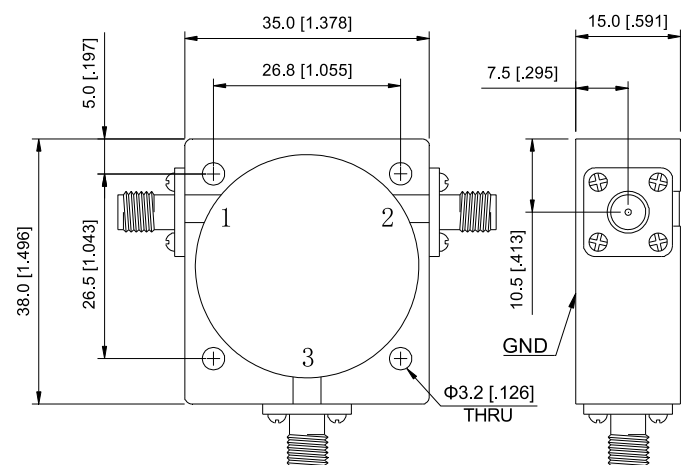
[2] N connector.

Mechanical

Size^{*3}: 35.0*38.0*15.0mm
 1.378*1.496*0.591in
 Connectors: N, SMA

[3] Exclude connectors.

Outline Drawings



Unit: mm [inch]

Tolerance: ±0.2mm [±0.008in]

How To Order**QCCH-X-Y-Z**

X: Start frequency in MHz

Y: Stop frequency in MHz

Z: Connector type

Connector naming rules:

S - SMA

N - N

Male Connector - Add 'M' after connector name

Examples:

To order a QCCH series circulator, 300-320MHz, N female,
specify QCCH-300-320-N.

Customization is available upon request.