

QCCG

High Power, High Isolation

Features:
 * High Power
 * High Isolation
 * Low Insertion Loss
 * Low VSWR

Applications:
 * Wireless
 * Radar
 * Laboratory Test

Description

QCCG series coaxial circulators cover frequency range 300~1500MHz. High power, high isolation and low insertion loss make it ideal for a lot of applications like amplifiers, transceivers, etc.

Specifications

Part Number	Frequency Range (MHz)	Insertion Loss (dB, max.)	Isolation (dB, min.)	VSWR (max.)	Temperature (°C)
QCCG-300-350	300~350	0.5	20	1.25	-30 ~ +70
QCCG-350-400	350~400	0.5	20	1.25	-30 ~ +70
QCCG-400-450	400~450	0.4	20	1.25	-30 ~ +70
QCCG-450-500	450~500	0.4	20	1.25	-30 ~ +70
QCCG-500-590	500~590	0.4	20	1.25	-40 ~ +85
QCCG-590-710	590~710	0.4	20	1.25	-40 ~ +85
QCCG-700-850	700~850	0.4	20	1.25	-40 ~ +85
QCCG-850-1000	850~1000	0.4	20	1.25	-40 ~ +85
QCCG-1200-1400	1200~1400	0.4	20	1.2	0 ~ +65

Power Handling

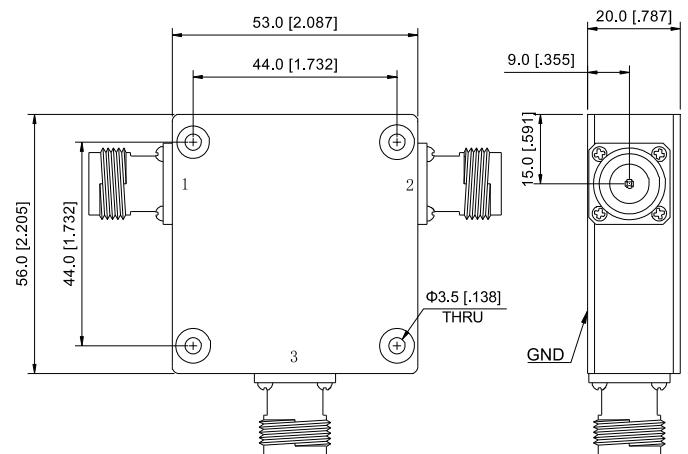
Forward Power: 500W
 Reverse Power: 500W

Mechanical

Size*1: 53.0*56.0*20.0mm
 2.087*2.205*0.787in
 Connectors: N

[1] Exclude connectors.

Outline Drawings



Unit: mm [inch]
 Tolerance: ± 0.2 mm [± 0.008 in]

How To Order**QCCG-X-Y-Z**

X: Start frequency in MHz

Y: Stop frequency in MHz

Z: Connector type

Connector naming rules:

N - N

Male Connector - Add 'M' after connector name

Examples:

To order a QCCG series circulator, 300-350MHz, N female,
specify QCCG-300-350-N.

Customization is available upon request.