

QCCD

High Power, High Isolation

Features:

- * High Power
- * High Isolation
- * Low Insertion Loss
- * Low VSWR

Applications:

- * Wireless
- * Radar
- * Laboratory Test

Description

QCCD series coaxial circulators cover frequency range 130~180MHz. High power, high isolation and low insertion loss make it ideal for a lot of applications like amplifiers, transceivers, etc.

Specifications

Part Number	Frequency Range (MHz)	Insertion Loss (dB, max.)	Isolation (dB, min.)	VSWR (max.)	Temperature (°C)
QCCD-130-136	130~136	0.5	20	1.25	-20 ~ +65
QCCD-135-140	135~140	0.5	20	1.25	-20 ~ +65
QCCD-144-148	144~148	0.5	20	1.25	-20 ~ +65
QCCD-150-170	150~170	0.7	18	1.3	-20 ~ +65
QCCD-164-170	164~170	0.5	20	1.25	-20 ~ +65
QCCD-162X	162.5	0.35	23	1.15	-20 ~ +65
QCCD-170-180	170~180	0.6	20	1.25	-20 ~ +65

Power Handling

Forward Power: 500W

Reverse Power: 500W

Mechanical

Size*1: 64.0*66.0*22.0mm
2.520*2.598*0.866in

Connectors: N

[1] Exclude connectors.

How To Order

QCCD-X-Y-Z

X: Start frequency in MHz

Y: Stop frequency in MHz

Z: Connector type

Connector naming rules:

N - N

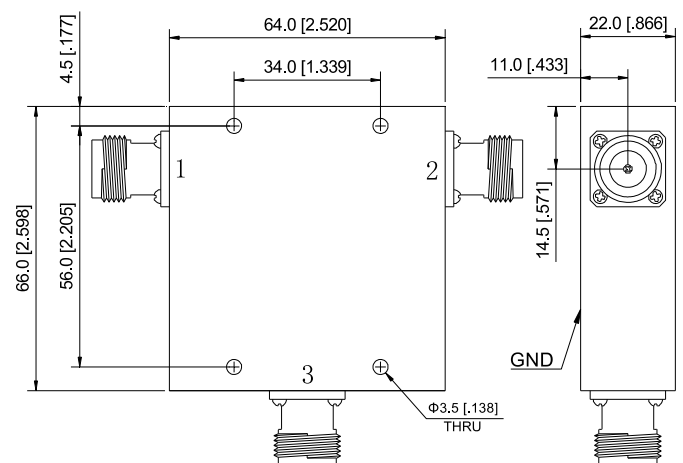
Male Connector - Add 'M' after connector name

Examples:

To order a QCCD series circulator, 135-140MHz, N female, specify QCCD-135-140-N.

Customization is available upon request.

Outline Drawings



Unit: mm [inch]

Tolerance: $\pm 0.2\text{mm}$ [$\pm 0.008\text{in}$]