

QCC4550X

High Power, High Isolation

Features:

- * High Power
- * High Isolation
- * Low Insertion Loss
- * Low VSWR

Applications:

- * Wireless
- * Radar
- * Laboratory Test

Description

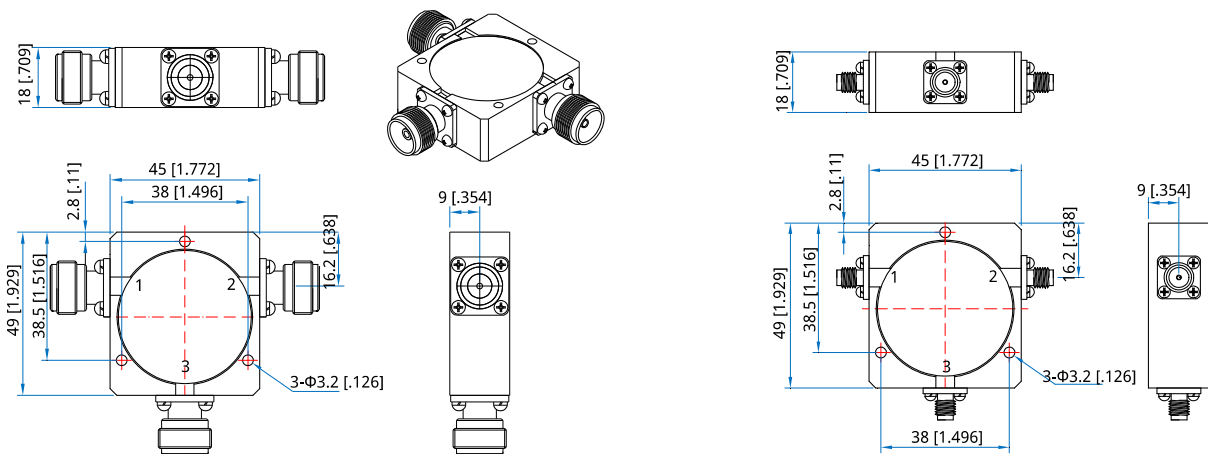
QCC4550X series Coaxial Circulators cover frequency range 300~1100MHz. High power, high isolation and low insertion loss make it ideal for a lot of applications like amplifiers, transceivers, etc.

Specifications

| Frequency (MHz) | Bandwidth (MHz) | IL (dB Max.) | Isolation (dB Min.) | VSWR (Max.) | Average Power*1 (W) | Connector | Temperature (°C) |
|-----------------|-----------------|--------------|---------------------|-------------|---------------------|-----------|------------------|
| 300~420 | 20 | 0.30 | 23.0 | 1.20 | 100~400 | SMA, N | -30~+70 |
| 300~420 | 30 | 0.40 | 20.0 | 1.25 | 100~400 | SMA, N | -30~+70 |
| 300~420 | 120 | 0.60 | 18.0 | 1.30 | 100~400 | SMA, N | -30~+70 |
| 361~366 | 5 | 0.20 | 30.0 | 1.15 | 100~400 | SMA, N | -30~+70 |
| 400~470 | 70 | 0.40 | 20.0 | 1.25 | 100~400 | SMA, N | -30~+70 |
| 400~500 | 30 | 0.30 | 23.0 | 1.20 | 100~400 | SMA, N | -30~+70 |
| 400~500 | 100 | 0.40 | 20.0 | 1.25 | 100~400 | SMA, N | -30~+70 |
| 500~700 | 50 | 0.40 | 20.0 | 1.25 | 100~400 | SMA, N | -30~+70 |
| 500~700 | 150 | 0.50 | 18.0 | 1.30 | 100~400 | SMA, N | -30~+70 |
| 500~700 | 200 | 0.60 | 17.0 | 1.35 | 100 | SMA, N | -30~+75 |
| 700~900 | 200 | 0.40 | 20.0 | 1.25 | 100~400 | SMA, N | -30~+70 |
| 700~1000 | 300 | 0.50 | 18.0 | 1.30 | 100~400 | SMA, N | -30~+70 |
| 800~1000 | 200 | 0.40 | 20.0 | 1.20 | 100~400 | SMA, N | -30~+70 |
| 800~1100 | 300 | 0.50 | 18.0 | 1.30 | 100~400 | SMA, N | -30~+70 |

[1] The connector is SMA, and the maximum average power can only reach 100W

Outline Drawings



Outline A

Outline B

Unit: mm [inch] Tolerance: ±0.2mm [±0.008in]

Mechanical

Size^{*2}: 45*49*18mm
1.772*1.929*0.709in

Mounting: 3- Φ 3.2mm through-hole

[2] Exclude connectors

Connector Naming Rules:

N - N Female (Outline A)

S - SMA Female (Outline B)

Direction Naming Rules:

1 - Clockwise

2 - Anticlockwise

How To Order**QCC4550X-V-W-X-Y-Z**

V: Start frequency in MHz

W: Stop frequency in MHz

X: Average power in W

Y: Connector type

Z: Direction type

Examples:

To order a QCC4550X series Circulator, 300~400MHz, 200W, N female, Clockwise, specify QCC4550X-300-400-K2-N-1.

Customization is available upon request.