

QCC4149A

High Power, High Isolation

Features:
 * High Power
 * High Isolation
 * Low Insertion Loss
 * Low VSWR

Applications:
 * Wireless
 * Radar
 * Laboratory Test

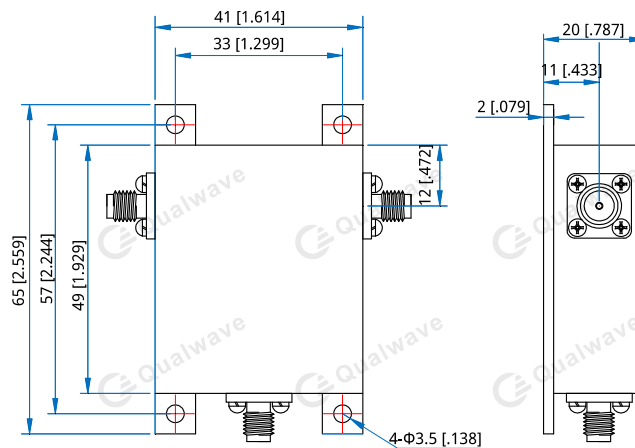
Description

QCC4149A series Coaxial Circulators cover frequency range 0.6~1GHz. High power, high isolation and low insertion loss make it ideal for a lot of applications like amplifiers, transceivers, etc.

Specifications

Frequency (MHz)	Bandwidth (MHz)	IL (dB Max.)	Isolation (dB Min.)	VSWR (Max.)	Average Power (W)	Connector	Temperature (°C)
600-1000	400	1.0	16.0	1.4	100	SMA	-40~+60

Outline Drawings



Unit: mm [inch] Tolerance: ±0.2mm [±0.008in]

Mechanical

Size*1: 41*49*20mm
 1.614*1.929*0.787in

Mounting: 4-Φ3.5mm through-hole

[1] Exclude connectors

Connector Naming Rules:

S - SMA Female

Direction Naming Rules:

1 - Clockwise
 2 - Anticlockwise

How To Order

QCC4149A-V-W-X-Y-Z

V: Start frequency in MHz
 W: Stop frequency in MHz
 X: Average power in W
 Y: Connector type
 Z: Direction type

Examples:

To order a QCC4149A series Circulator, 600~1000MHz, 100W, SMA female, Clockwise, specify QCC4149A-600-1000-K1-S-1.

Customization is available upon request.